

VOO_VOO

VV 423

: fiche produit



Grâce à ses formes géométriques simples, sa base en acier, son adaptabilité infinie et ses tables correspondantes, la collection de canapés Voo_voo s'intègre parfaitement à l'architecture et à l'élégance des espaces de bureaux et des lieux publics modernes.

design:
Bejot Development Team

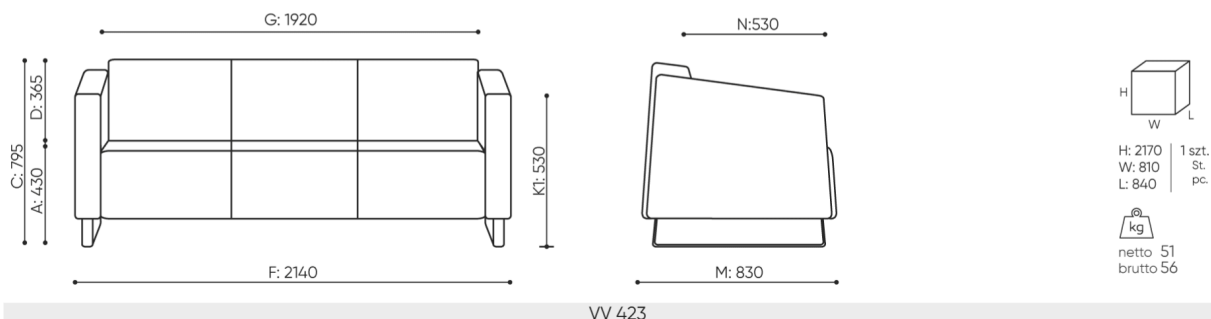
Site du produit
[lien vers le site](#)



bejot:

dimensions

VV 423



- A seat height: overall dimensions
- B seat height
- C chair height: overall dimensions
- D backrest height
- F chair width: overall dimensions
- G seat width
- H backrest width
- K height from the floor to the armrest
- M chair depth: overall dimensions
- N seat depth / seat length

Dimensions are approximate and may vary depending on the selected product configuration. The requirements of the standard are always met.

mat riaux disponibles pour la collection

1st price group	Fenno, Keimo, Sawana
2nd price group	Alpa, Charles, Charles - Studio Design, Cura, Pastel, Roccia, Valencia
3rd price group	Ally, Ally SD, Alpa-Studio Design, Blazer, Cura SD, Easy SD, Oceanic, Silvertex , Silvertex - Studio Design, Synergy, Synergy - Studio Design, Valencia - Studio Design
4th price group	Heritage, Oceanic-Studio Design, Remix - Studio Design
5th price group	Steelcut Trio 3
Cuir	Leather
Metal	Metal - powder coated
Decorative stitch	Decorative stitch

