

# vieni

VE W 742

: fiche produit



Un fauteuil l'gant offrant un confort exceptionnel. Le design italien particulier se manifeste dans les moindres d'ails. Il s'int gre parfaitement dans les int rieurs publics modernes, les habitations et les espaces confortables de type lounge. C'est une collection qui invite au repos et la d' tente.

**design:**  
**Edi & Paolo Ciani**

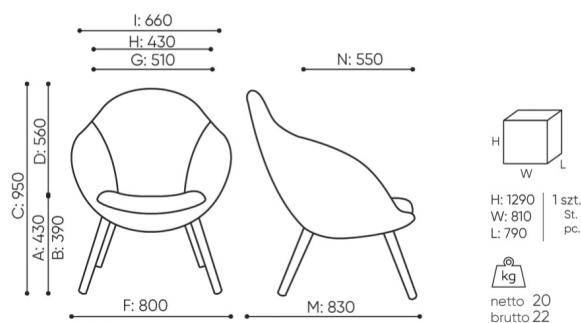
**Site du produit**  
[lien vers le site](#)



# bejot:

# dimensions

VE W 742



VE W 742

- A seat height: overall dimensions
- B seat height: measured according to the norm  
PN EN 1335 - 1
- C chair height
- D backrest height
- E headrest height
- F dimensional width chair / base
- G seat width
- H backrest width
- I width between armrests
- K height from the floor to the armrest
- L backrest length
- M dimensional chair depth
- N seat depth / seat length

Dimensions are approximate and may vary depending on the selected product configuration. The requirements of the standard are always met.

## mat riaux disponibles pour la collection

1st price group	Fenno
2nd price group	Alpa, Charles, Charles - Studio Design, Cura, Pastel, Roccia, Valencia
3rd price group	Ally, Ally SD, Alpa-Studio Design, Blazer, Cura SD, Easy SD, Oceanic, Silvertex , Silvertex - Studio Design, Synergy, Synergy - Studio Design, Valencia - Studio Design
4th price group	Heritage, Oceanic-Studio Design, Remix - Studio Design
5th price group	Accessoire, Steelcut Trio 3
Cuir	Leather
Wood	Solid oak wood
Metal	Metal - powder coated

bejot:vieni

