

quadra

QD R45 M

: fiche produit



Un système de canapés et de poufs simples aux configurations presque illimitées.

Les modules permettent de créer des aménagements qui améliorent la fonctionnalité des pièces, des passages et de réaliser des espaces intimes de rencontre et de conversation.

design:
Bejot Development Team

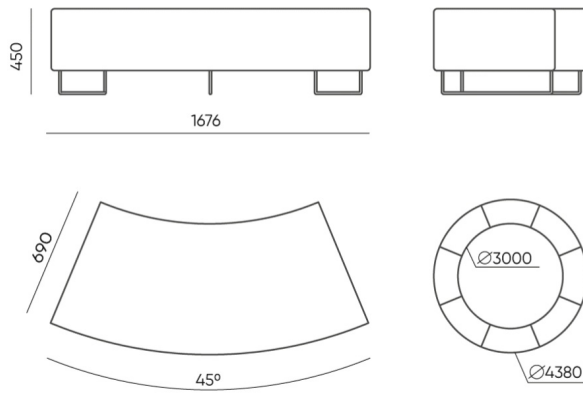
Site du produit
[lien vers le site](#)



bejot:

dimensions

QD R45 M



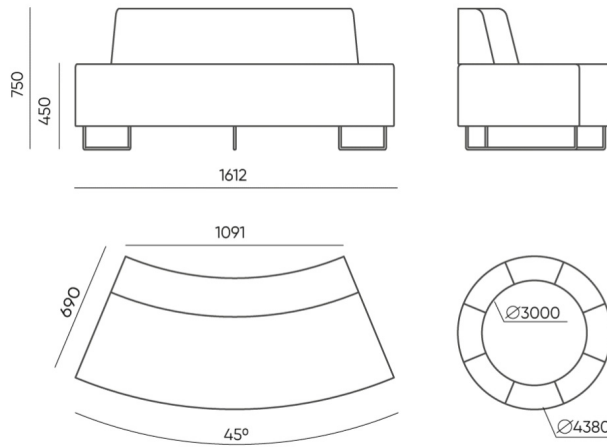
H
W
L

H: 500	1 szt.
W: 1400	St.
L: 880	pc.

kg

netto 30
brutto 35

QDR 45 M



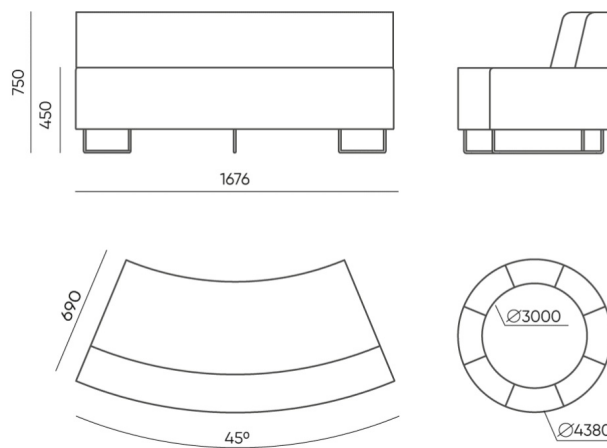
H
W
L

H: 760	1 szt.
W: 1700	St.
L: 880	pc.

kg

netto 37
brutto 42

QD RO 45 M IN



H
W
L

H: 760	1 szt.
W: 1700	St.
L: 880	pc.

kg

netto 39
brutto 44

QD RO 45 M OUT

- A** seat height: overall dimensions
- B** seat height
- C** chair height: overall dimensions
- D** backrest height
- F** chair width: overall dimensions
- G** seat width
- H** backrest width
- K** height from the floor to the armrest
- M** chair depth: overall dimensions
- N** seat depth / seat length

Dimensions are approximate and may vary depending on the selected product configuration. The requirements of the standard are always met.

mat riaux disponibles pour la collection

1st price group	Bond, Fenno, Keimo, Sawana
2nd price group	Alpa, Charles, Charles - Studio Design, Cura, Pastel, Roccia, Valencia
3rd price group	Ally, Ally SD, Alpa-Studio Design, Blazer, Cura SD, Easy SD, Oceanic, Silvertex , Synergy, Synergy - Studio Design
4th price group	Oceanic-Studio Design, Remix - Studio Design
5th price group	Steelcut Trio 3
Tabletop	Laminated tabletop
Metal	Metal - powder coated

