

OX:CO

OX 102

: fiche produit



Le design attrayant de ce fauteuil souligne parfaitement la forme du siège, la fois minimaliste et fascinante. Grâce à la combinaison unique de différents matériaux, la simplicité de la construction du siège revêt un aspect particulier.

design:
Włodzimierz Orsztynowicz

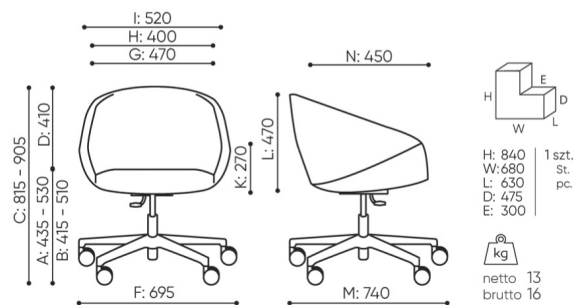
Site du produit
[lien vers le site](#)



bejot:

dimensions

OX 102



OX 102

- A seat height: overall dimensions
- B seat height: measured according to the norm PN EN 1335 - 1
- C chair height adjustment
- D backrest height adjustment
- E headrest height adjustment
- F dimensional width chair / base
- G seat width
- H backrest width
- I width between armrests
- K armrest height adjustment
- L backrest length
- M dimensional chair depth
- N seat depth adjustment / seat length

Dimensions are approximate and may vary depending on the selected product configuration. The requirements of the standard are always met.

mat riaux disponibles pour la collection

1st price group	Bond, Fenno, Keimo, Sawana
2nd price group	Alpa, Charles, Charles - Studio Design, Cura, Pastel, Roccia, Valencia
3rd price group	Ally, Ally SD, Alpa-Studio Design, Blazer, Cura SD, Easy SD, Oceanic, Silvertex , Silvertex - Studio Design, Synergy, Synergy - Studio Design, Valencia - Studio Design
4th price group	Heritage, Oceanic-Studio Design, Remix - Studio Design
5th price group	Accessoire, Steelcut Trio 3
Cuir	Leather
Metal	Metal - powder coated, Metal ALU/chrom

bejot:ox:co

