

momo

MO 102 black

: fiche produit



La collection Momo se caractérise par un design audacieux. Les lignes originales du design expriment un dynamisme pur et un style sportif. Momo est conçu pour donner de la joie à l'utilisation quotidienne et souligner l'individualité de l'utilisateur.

design:
Ronald Straubel

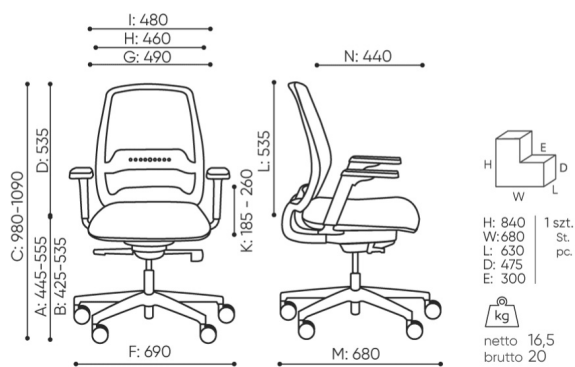
Site du produit
[lien vers le site](#)



bejot:

dimensions

MO 102 black



MO 102

- A seat height: overall dimensions
- B seat height: measured according to the norm
PN EN 1335 - 1
- C chair height adjustment
- D backrest height adjustment
- E headrest height adjustment
- F dimensional width chair / base
- G seat width
- H backrest width
- I width between armrests
- K armrest height adjustment
- L backrest length
- M dimensional chair depth
- N seat depth adjustment / seat length

Dimensions are approximate and may vary depending on the selected product configuration. The requirements of the standard are always met.

mat riaux disponibles pour la collection

| | |
|-----------------|---|
| 1st price group | Bond, Fenno, Keimo, Sawana |
| 2nd price group | Alpa, Charles, Charles - Studio Design, Cura, Era - Studio Design, Pastel, Roccia, Valencia |
| 3rd price group | Ally, Ally SD, Alpa-Studio Design, Blazer, Cura SD, Easy SD, Oceanic, Rhythm, Silvertex , Silvertex - Studio Design, Synergy, Synergy - Studio Design, Valencia - Studio Design |
| 4th price group | Heritage, Oceanic-Studio Design, Remix - Studio Design |
| 5th price group | Accessoire, Steelcut Trio 3 |
| Cuir | Leather |
| Membrane | Membrane Kyos, Momo, Milla |
| Metal | Metal - powder coated, Metal ALU/chrom |

bejot:momo

