

# lift

## LF 10R

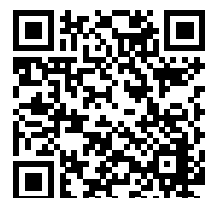
### : fiche produit



Un fauteuil conçu conformément à la philosophie sit & stand. Avec le bureau réglable en hauteur, il définit de nouveaux standards en matière de mouvement et de flexibilité dans la vie quotidienne au bureau.

**design:**  
**Bejot Development Team**

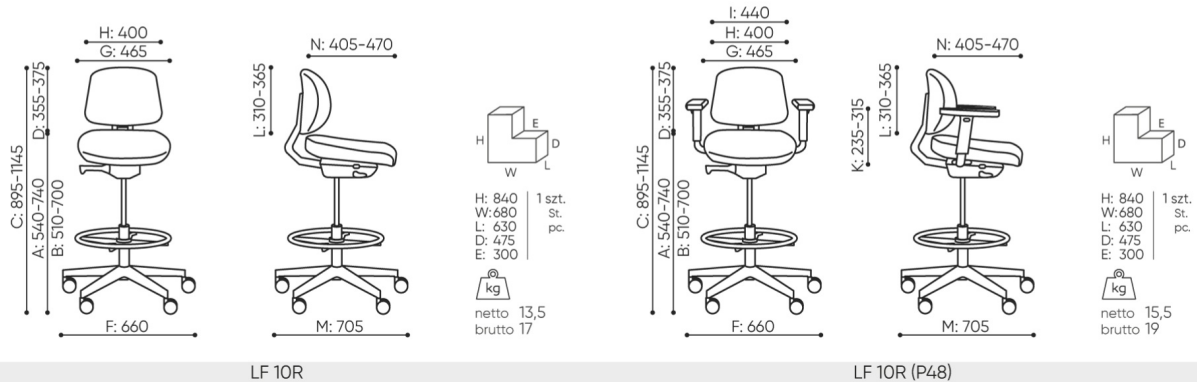
**Site du produit**  
[lien vers le site](#)



# bejot:

# dimensions

## LF 10R



- A seat height: overall dimensions
- B seat height: measured according to the norm  
PN EN 1335 - 1
- C chair height adjustment
- D backrest height adjustment
- E headrest height adjustment
- F dimensional width chair / base
- G seat width
- H backrest width
- I width between armrests
- K armrest height adjustment
- L backrest length
- M dimensional chair depth
- N seat depth adjustment / seat length

Dimensions are approximate and may vary depending on the selected product configuration. The requirements of the standard are always met.

## mat riaux disponibles pour la collection

1st price group	Bond, Fenno, Keimo, Sawana
2nd price group	Alpa, Charles, Charles - Studio Design, Cura, Era - Studio Design, Pastel, Roccia
3rd price group	Ally, Ally SD, Alpa-Studio Design, Blazer, Cura SD, Easy SD, Oceanic, Rhythm, Silvertex , Silvertex - Studio Design, Synergy, Synergy - Studio Design
4th price group	Heritage, Oceanic-Studio Design, Remix - Studio Design
5th price group	Accessoire, Steelcut Trio 3
Cuir	Leather
Metal	Metal - powder coated, Metal ALU/chrom

bejot:lift

