

kyos

KY 220 M

: fiche produit



La forme simple et ergonomique, accentuée par le dossier transparent, permet Kyos de se marier parfaitement avec l'intérieur des bureaux, des salles de conférence, des bibliothèques et des lieux publics.

design:
Scagnellato & Ferrarese

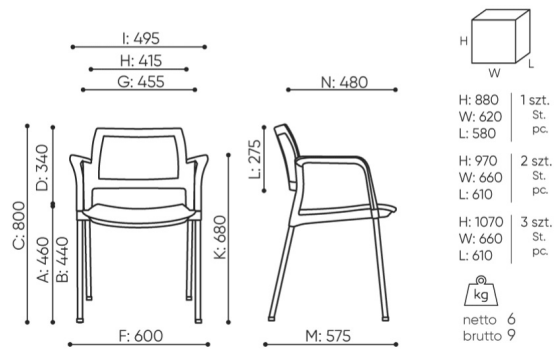
Site du produit
[lien vers le site](#)



bejot:

dimensions

KY 220 M



KY 220 2M

- A seat height: overall dimensions
- B seat height: measured according to the norm
PN EN 1335 - 1
- C chair height
- D backrest height
- E headrest height
- F dimensional width chair / base
- G seat width
- H backrest width
- I width between armrests
- K height from the floor to the armrest
- L backrest length
- M dimensional chair depth
- N seat depth / seat length

Dimensions are approximate and may vary depending on the selected product configuration. The requirements of the standard are always met.

mat riaux disponibles pour la collection

1st price group	Bond, Fenno, Keimo, Sawana
2nd price group	Alaska, Alpa, Charles, Charles - Studio Design, Cura, Era - Studio Design, Pastel, Roccia, Valencia
3rd price group	Ally, Ally SD, Alpa-Studio Design, Blazer, Cura SD, Cyber SD, Easy SD, Oceanic, Rhythm, Silvertex , Silvertex - Studio Design, Synergy, Synergy - Studio Design, Valencia - Studio Design
4th price group	Heritage, Oceanic-Studio Design, Remix - Studio Design
5th price group	Accessoire, Steelcut Trio 3
Cuir	Leather
Membrane	Membrane Kyos, Momo, Milla, Mesh sampler for Eleven and Kyos
Plastic	Plastic Kyos
Metal	Metal - powder coated

bejot:kyos

