

# hens

HS 220 H

: fiche produit



La collection hens se distingue par son design scandinave et sa fonctionnalité. Elle est conforme aux principes de simplicité, de facilité d'utilisation et de naturel. Le châssis solide en acier confère à la chaise un caractère loft. La forme brute est compensée par le placage naturel en chêne et le rembourrage doux.

**design:**  
**Henrik Schultz**

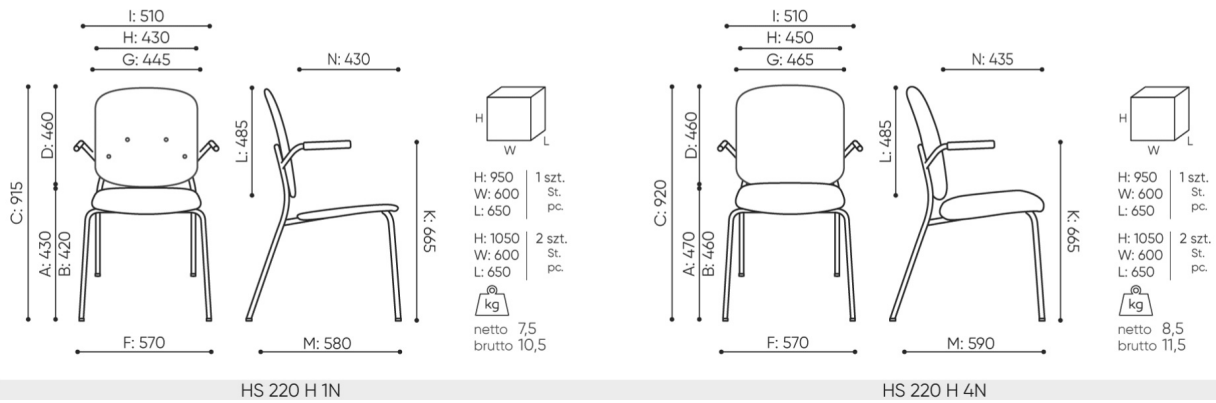
**Site du produit**  
[lien vers le site](#)



# bejot:

# dimensions

## HS 220 H



- A seat height: overall dimensions
- B seat height: measured according to the norm  
PN EN 1335 - 1
- C chair height
- D backrest height
- E headrest height
- F dimensional width chair / base
- G seat width
- H backrest width
- I width between armrests
- K height from the floor to the armrest
- L backrest length
- M dimensional chair depth
- N seat depth / seat length

Dimensions are approximate and may vary depending on the selected product configuration. The requirements of the standard are always met.

## mat riaux disponibles pour la collection

1st price group	Bond, Fenno, Keimo, Sawana
2nd price group	Alpa, Charles, Charles - Studio Design, Cura, Era - Studio Design, Pastel, Roccia
3rd price group	Ally, Ally SD, Alpa-Studio Design, Blazer, Cura SD, Easy SD, Oceanic, Rhythm, Silvertex , Silvertex - Studio Design, Synergy, Synergy - Studio Design
4th price group	Heritage, Oceanic-Studio Design, Remix - Studio Design
5th price group	Accessoire, Steelcut Trio 3
Cuir	Leather
Natural oak veneer	Natural oak veneer
Metal	Metal - powder coated

