

# hens

HS 220

: fiche produit



La collection hens se distingue par son design scandinave et sa fonctionnalité. Elle est conforme aux principes de simplicité, de facilité d'utilisation et de naturel. Le châssis solide en acier confère à la chaise un caractère loft. La forme brute est compensée par le placage naturel en chêne et le rembourrage doux.

**design:**  
**Henrik Schultz**

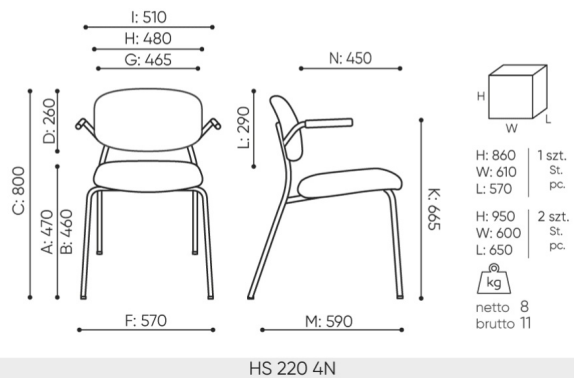
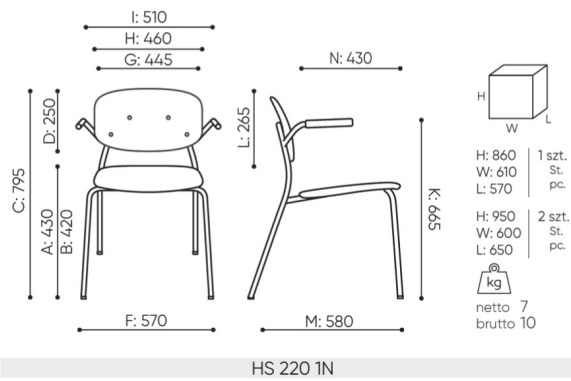
**Site du produit**  
[lien vers le site](#)



**bejot:**

# dimensions

## HS 220



- A seat height: overall dimensions
- B seat height: measured according to the norm  
PN EN 1335 - 1
- C chair height
- D backrest height
- E headrest height
- F dimensional width chair / base
- G seat width
- H backrest width
- I width between armrests
- K height from the floor to the armrest
- L backrest length
- M dimensional chair depth
- N seat depth / seat length

Dimensions are approximate and may vary depending on the selected product configuration. The requirements of the standard are always met.

## mat riaux disponibles pour la collection

|                    |   |
|--------------------|---|
| 1st price group    | Bond, Fenno, Keimo, Sawana  |
| 2nd price group    | Alpa, Charles, Charles - Studio Design, Cura, Era - Studio Design, Pastel, Roccia   |
| 3rd price group    | Ally, Ally SD, Alpa-Studio Design, Blazer, Cura SD, Easy SD, Oceanic, Rhythm, Silvertex , Silvertex - Studio Design, Synergy, Synergy - Studio Design |
| 4th price group    | Heritage, Oceanic-Studio Design, Remix - Studio Design  |
| 5th price group    | Accessoire, Steelcut Trio 3   |
| Cuir               | Leather   |
| Natural oak veneer | Natural oak veneer  |
| Metal              | Metal - powder coated   |

bejot:hens

