

flos

FS KP 260

: fiche produit



La collection Flos propose des si ges extr mement confortables avec une large gamme de bases : en m tal, en bois, sur roulettes, basses, hautes et bancs. Elle est parfaite pour les bureaux et les lieux de travail domestiques.

design:
Tomasz Augustyniak

**must
have**
LA BIEN-ÊTRE DÉCORATION

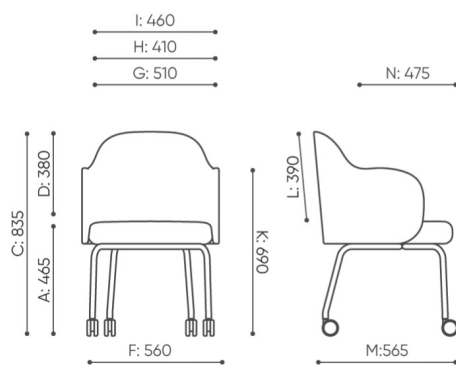
bejot:

Site du produit
[lien vers le site](#)



dimensions

FS KP 260



FS KP 260

- A seat height: overall dimensions
- B seat height: measured according to the norm
PN EN 1335 - 1
- C chair height
- D backrest height
- E headrest height
- F dimensional width chair / base
- G seat width
- H backrest width
- I width between armrests
- K height from the floor to the armrest
- L backrest length
- M dimensional chair depth
- N seat depth / seat length

Dimensions are approximate and may vary depending on the selected product configuration. The requirements of the standard are always met.

mat riaux disponibles pour la collection

1st price group	Fenno, Keimo
2nd price group	Alpa, Charles, Charles - Studio Design, Cura, Pastel, Roccia
3rd price group	Ally, Ally SD, Alpa-Studio Design, Blazer, Cura SD, Easy SD, Oceanic, Silvertex , Silvertex - Studio Design, Synergy, Synergy - Studio Design
4th price group	Heritage, Oceanic-Studio Design, Remix - Studio Design
5th price group	Accessoire, Steelcut Trio 3
Cuir	Leather
Wood	Solid oak wood - clear varnish matt
Metal	Metal - powder coated

bejot:flos

