

fendo

FD 215 M

: fiche produit



Fendo se caractérise par sa forme légère et moderne, sa finition précise et un large éventail de modèles et de couleurs disponibles. Il est parfaitement adapté aux bureaux et aux espaces publics tels que les salles de réunion, les salles d'attente et les cantines.

design:
Scagnellato & Ferrarese

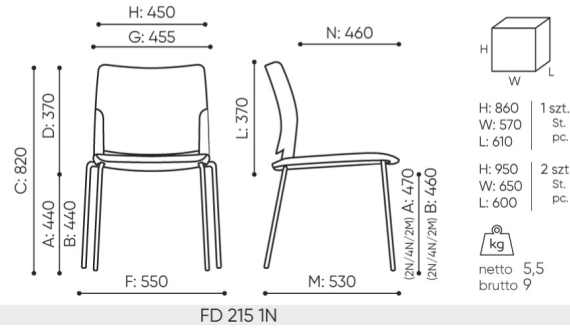
Site du produit
[lien vers le site](#)



bejot:

dimensions

FD 215 M



- A seat height: overall dimensions
- B seat height: measured according to the norm
PN EN 1335 - 1
- C chair height
- D backrest height
- E headrest height
- F dimensional width chair / base
- G seat width
- H backrest width
- I width between armrests
- K height from the floor to the armrest
- L backrest length
- M dimensional chair depth
- N seat depth / seat length

Dimensions are approximate and may vary depending on the selected product configuration. The requirements of the standard are always met.

mat riaux disponibles pour la collection

1st price group	Bond, Fenno, Keimo, Sawana
2nd price group	Alpa, Charles, Charles - Studio Design, Cura, Pastel, Roccia, Valencia
3rd price group	Ally, Ally SD, Alpa-Studio Design, Blazer, Cura SD, Easy SD, Oceanic, Silvertex , Silvertex - Studio Design, Synergy, Synergy - Studio Design, Valencia - Studio Design
4th price group	Heritage, Oceanic-Studio Design, Remix - Studio Design
5th price group	Steelcut Trio 3
Cuir	Leather
Membrane	Membrane Kyos, Momo, Milla
Plastic	Plastik Fendo 2M, Plastic Fendo
Metal	Metal - powder coated

bejot:fendo

