

be:basic offer

ZP 261H be:basic

: product card



Products withdrawn from the offer with extended lead time.
Available only while stock lasts.

design:

Product website
[website link](#)



bejot:

collection advantages

Light & functional

A light and dynamic form, functionality and convenience of the everyday use are the advantages of the Zip collection, which appeal to everyone.

Utility values

A possibility of stacking, joining chairs in rows and fixing desktops are the utility values that will satisfy the requirements of each customer.

technical data

ZP 261H be:basic

Standard ●
Option ○

Base

Powder painted (colors according to the Bejot sampler book)

●

Castors

Hard castors for soft floors Ø 65 with auto-brake

DEMA

●

Soft castors for hard floors Ø 65 with auto-brake

DEMAD

○

Universal castors without brake function, color white

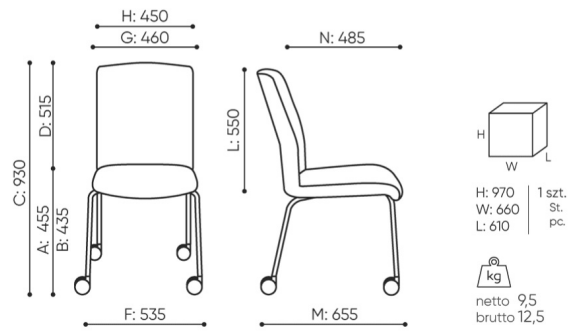
RL W4

○

Product available while stocks last

dimensions

ZP 261H be:basic



ZP 261H

- A seat height: overall dimensions
- B seat height: measured according to the norm
PN EN 1335 - 1
- C chair height
- D backrest height
- E headrest height
- F dimensional width chair / base
- G seat width
- H backrest width
- I width between armrests
- K height from the floor to the armrest
- L backrest length
- M dimensional chair depth
- N seat depth / seat length

Dimensions are approximate and may vary depending on the selected product configuration. The requirements of the standard are always met.

be:basic offer

materials available for collection

1st price group	Bond, Fenno, Keimo, Sawana
2nd price group	Alpa, Charles, Charles - Studio Design, Cura, Era - Studio Design, Pastel, Roccia
3rd price group	Ally, Ally SD, Alpa-Studio Design, Blazer, Cura SD, Easy SD, Oceanic, Rhythm, Silvertex , Silvertex - Studio Design, Synergy, Synergy - Studio Design
4th price group	Heritage, Oceanic-Studio Design, Remix - Studio Design
5th price group	Accessoire, Steelcut Trio 3
Leather	Leather
Metal	Metal - powder coated

bejot:be:basic offer

