

be:basic offer

ZP 260H be:basic

: product card



Products withdrawn from the offer with extended lead time.
Available only while stock lasts.

design:

Product website
[website link](#)



bejot:

collection advantages

Light & functional

A light and dynamic form, functionality and convenience of the everyday use are the advantages of the Zip collection, which appeal to everyone.

Utility values

A possibility of stacking, joining chairs in rows and fixing desktops are the utility values that will satisfy the requirements of each customer.

technical data

ZP 260H be:basic

Standard ●
Option ○

Base

Powder painted (colors according to the Bejot sampler book) ●

Castors

Hard castors for soft floors Ø 65 with auto-brake

DEMA ●

Soft castors for hard floors Ø 65 with auto-brake

DEMAD ○

Universal castors without brake function, color white

RL W4 ○

Armrest covers

Soft, black polyurethane

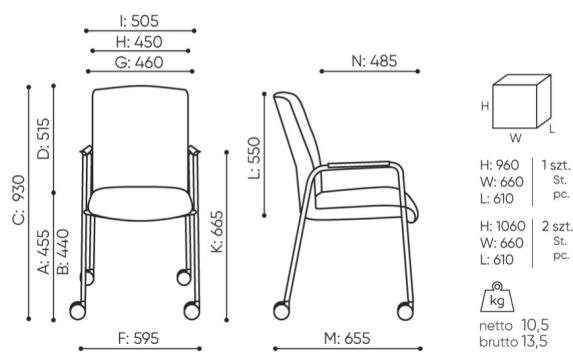
PU ●

Product available while stocks last

bejot:be:basic offer

dimensions

ZP 260H be:basic



ZP 260H

- A seat height: overall dimensions
- B seat height: measured according to the norm
PN EN 1335 - 1
- C chair height
- D backrest height
- E headrest height
- F dimensional width chair / base
- G seat width
- H backrest width
- I width between armrests
- K height from the floor to the armrest
- L backrest length
- M dimensional chair depth
- N seat depth / seat length

Dimensions are approximate and may vary depending on the selected product configuration. The requirements of the standard are always met.

materials available for collection

1st price group	Bond, Fenno, Keimo, Sawana
2nd price group	Alaska, Alpa, Charles, Charles - Studio Design, Cura, Era - Studio Design, Pastel, Roccia
3rd price group	Ally, Ally SD, Alpa-Studio Design, Blazer, Cura SD, Easy SD, Oceanic, Rhythm, Silvertex , Silvertex - Studio Design, Synergy, Synergy - Studio Design
4th price group	Heritage, Oceanic-Studio Design, Remix - Studio Design
5th price group	Accessoire*, Steelcut Trio 3
Leather	Leather
Metal	Metal - powder coated

bejot:be:basic offer

