

be:basic offer

ZP 220 be:basic

: product card



Products withdrawn from the offer with extended lead time.
Available only while stock lasts.

design:

Product website
[website link](#)



bejot:

collection advantages

Light & functional

A light and dynamic form, functionality and convenience of the everyday use are the advantages of the Zip collection, which appeal to everyone.

Utility values

A possibility of stacking, joining chairs in rows and fixing desktops are the utility values that will satisfy the requirements of each customer.

technical data

ZP 220 be:basic

Standard ●
Option ○

bejot:be:basic offer

Base

Powder coated (colors according to the Bejot sampler) ●

Armpads

CODE

Without armpads ●

Soft, black polyurethane

PU ○

Additional equipment

CODE

Black underside of the seat protecting chairs against scratching during stacking (for chairs without a connector) ○

Mobile writing desk CPL ○

P ○

Chairs connectors ○

L ○

The system of joining rows and rows with each other

CODE

The bar combining 4 chairs (length: 3000 mm) ○

LR1 ○

Set: The bar combining 4 chairs (length: 3000 mm)+ 2 x row connector (length: 1000 mm) ○

LR4-SET ○

Feet

CODE

Feet for ceramic floors, concrete and carpets ●

TK ●

Felt feet for wooden floors and panels ○

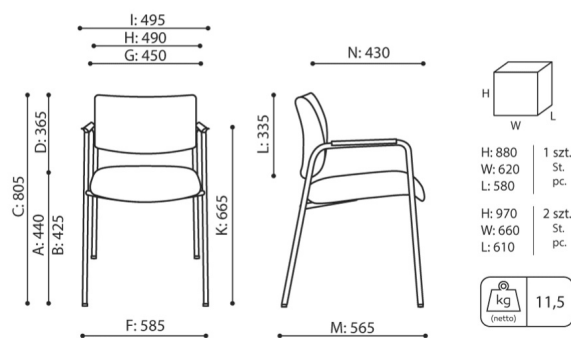
TF ○

4-pieces stacking. The product does not scratch the walls.

Product available while stocks last

dimensions

ZP 220 be:basic



ZP 220

- A seat height: overall dimensions
- B seat height: measured according to the norm PN EN 1335 - 1
- C chair height
- D backrest height
- E headrest height
- F dimensional width chair / base
- G seat width
- H backrest width
- I width between armrests
- K height from the floor to the armrest
- L backrest length
- M dimensional chair depth
- N seat depth / seat length

Dimensions are approximate and may vary depending on the selected product configuration. The requirements of the standard are always met.

materials available for collection

1st price group	Bond, Fenno, Keimo, Sawana
2nd price group	Alpa, Charles, Charles - Studio Design, Cura, Era - Studio Design, Pastel, Roccia
3rd price group	Ally, Ally SD, Alpa-Studio Design, Blazer, Cura SD, Easy SD, Oceanic, Rhythm, Silvertex , Silvertex - Studio Design, Synergy, Synergy - Studio Design
4th price group	Heritage, Oceanic-Studio Design, Remix - Studio Design
5th price group	Accessoire, Steelcut Trio 3
Leather	Leather
Metal	Metal - powder coated

bejot:be:basic offer

