

woodbe

WB 815

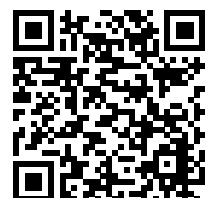
: product card



Solid oak chairs, hockers and benches with upholstered seats. The Woodbe collection combines minimalism, functionality and a love of natural materials. The structure of the furniture is made up of simple, distinctive geometric shapes with a characteristic skid at the base.

design:
Włodzimierz Orsztynowicz

Product website
[website link](#)



bejot:

collection advantages

durability and aesthetics

The collection includes chairs with wooden legs and a skid. An upholstered seat, available in a wide range of colours and fabric types, is standard for all models. The back of the chair can be upholstered as well.

timeless solutions

The chairs are praised for their comfort and they are made for use especially in cafés, restaurants, cafeterias and staff canteens.

the beauty of solid wood

Woodbe combines minimalism, functionality and love of natural materials. Simple in expression, geometric chairs made of solid oakwood are the base of the collection.

technical data

WB 815

Standard ●
Option ○

Base

Construction - solid oak wood, clear varnish matt ●

Feet

Without feet (recommended for carpeted floors) ●

Feet for ceramic and concrete floors WK ○

Felt feet on wooden floors and panels WF ○

Description

Upholstered seat, natural oak veneer backrest

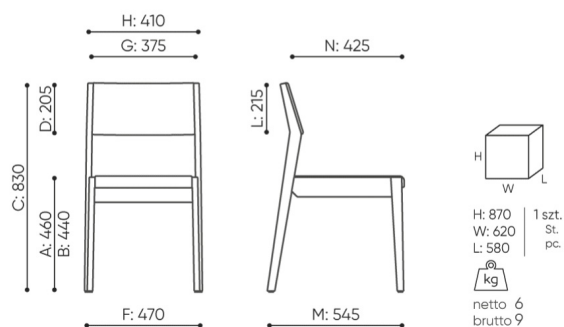
2N

Upholstered seat, natural oak veneer backrest with upholstered pad

3N

dimensions

WB 815



WB 815

- A seat height: overall dimensions
- B seat height: measured according to the norm
PN EN 1335 - 1
- C chair height
- D backrest height
- E headrest height
- F dimensional width chair / base
- G seat width
- H backrest width
- I width between armrests
- K height from the floor to the armrest
- L backrest length
- M dimensional chair depth
- N seat depth / seat length

Dimensions are approximate and may vary depending on the selected product configuration. The requirements of the standard are always met.

materials available for collection

1st price group	Bond, Keimo, Sawana
2nd price group	Alpa, Charles, Charles - Studio Design, Cura, Pastel, Roccia, Valencia
3rd price group	Ally, Ally SD, Alpa-Studio Design, Blazer, Cura SD, Easy SD, Oceanic, Silvertex , Silvertex - Studio Design, Synergy, Synergy - Studio Design, Valencia - Studio Design
4th price group	Heritage, Oceanic-Studio Design, Remix - Studio Design
5th price group	Steelcut Trio 3
Leather	Leather
Wood	Solid oak wood - clear varnish matt

bejot:woodbe

