

# VOO\_VOO

VV 423

: product card



With its simple geometric shapes, steel base, unlimited scalability and matching tables, the Voo\_voo sofa collection blends well with the austerity and elegance of modern office and public interiors.

**design:**  
**Bejot Development Team**

**Product website**  
[website link](#)



**bejot:**

# collection advantages

## Create your own systems

The Voo Voo is an interesting proposition of a set of the standard sofas, armchairs and a system of the sofas intended for the reception desk interiors, leisure areas, halls, waiting rooms. Through its modularity, the Voo Voo, offers a wide range of the possibilities of creating the different combinations according to an individual idea.

## Geometrical shapes

The simple, geometric shapes and an additional equipment in the form of the tables make the designer set Voo Voo blend seamlessly with severity and elegance of the modern office and public interiors.

## technical data

VV 423

Standard ●  
Option ○

### Base

- Chromed skid with felt padding ●
- Powder painted (colors according to the Bejot sampler book) ○

### Additional equipment

- Mediaport (black): 1 voltage socket 230V (type E - Poland, France / type F - Germany / type G - United Kingdom) + 2 x USB charger [type]2VCC ○
- Mediaport (black): 2 230V sockets (type E - Poland, France / type F - Germany / type G - United Kingdom) [type]2VV ○

### Stitches

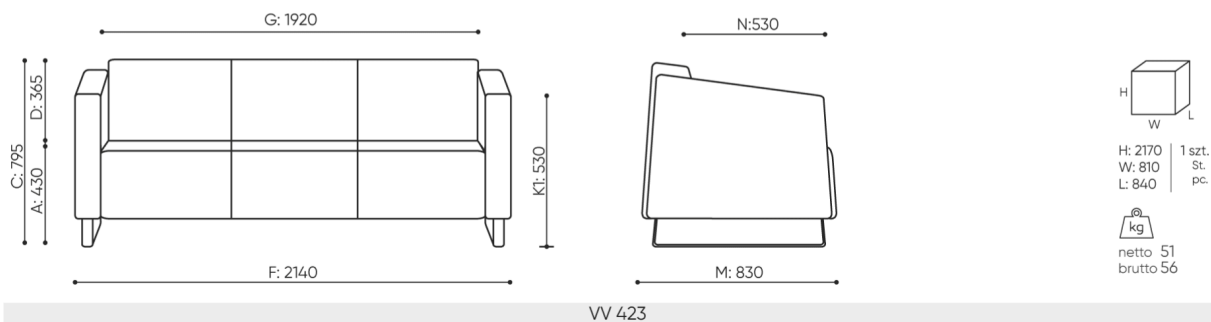
### CODE

- Stitches in the colour of upholstery ●
- White, grey, orange, red, green or black stitches for leather-upholstered armchairs or for keimo, valencia, silvertex collection upholstery ○

bejot:voo\_voo

# dimensions

VV 423



- A seat height: overall dimensions
- B seat height
- C chair height: overall dimensions
- D backrest height
- F chair width: overall dimensions
- G seat width
- H backrest width
- K height from the floor to the armrest
- M chair depth: overall dimensions
- N seat depth / seat length

Dimensions are approximate and may vary depending on the selected product configuration. The requirements of the standard are always met.

## materials available for collection

1st price group	Fenno, Keimo, Sawana
2nd price group	Alpa, Charles, Charles - Studio Design, Cura, Pastel, Roccia, Valencia
3rd price group	Ally, Ally SD, Alpa-Studio Design, Blazer, Cura SD, Easy SD, Oceanic, Silvertex , Silvertex - Studio Design, Synergy, Synergy - Studio Design, Valencia - Studio Design
4th price group	Heritage, Oceanic-Studio Design, Remix - Studio Design
5th price group	Steelcut Trio 3
Leather	Leather
Metal	Metal - powder coated
Decorative stitch	Decorative stitch

bejot:voo\_voo

