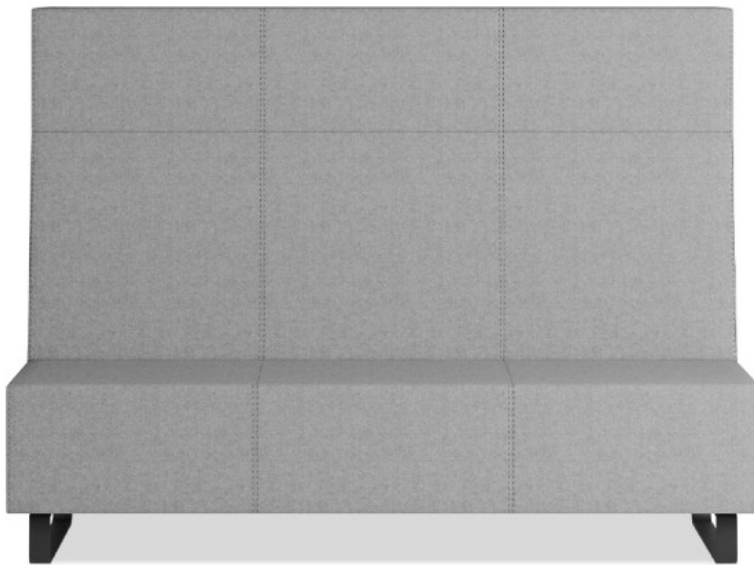


voo_voo:9xx

VV 903

: product card



The unique high backs of the Voo_voo:9xx sofas create private spaces in large open areas such as universities, congress centres and open-space offices. The collection allows you to build flexible seating arrangements with high acoustic properties.

design:
Bejot Development Team

Product website
[website link](#)



bejot:

collection advantages

Sound absorption

An idea behind this design is to create a place of isolation in the open space, shopping centres, universities, schools as well as the other public use areas. A high upholstered backrest fulfils a role of the wall partitions, provides sound absorption and creates good acoustic conditions.

Private room

The Voo Voo 9xx enables to create a "private room" in the office, where we can concentrate on the project or have informal talks.

technical data

VV 903

Standard ●
Option ○

Base

Chromed skid with felt padding	●
Powder painted (colors according to the Bejot sampler book)	○

Additional equipment

Mediaport (black): 1 voltage socket 230V (type E - Poland, France / type F - Germany / type G - United Kingdom) + 2 x USB charger	[type]2VCC ○
Mediaport (black): 2 230V sockets (type E - Poland, France / type F - Germany / type G - United Kingdom)	[type]2VV ○

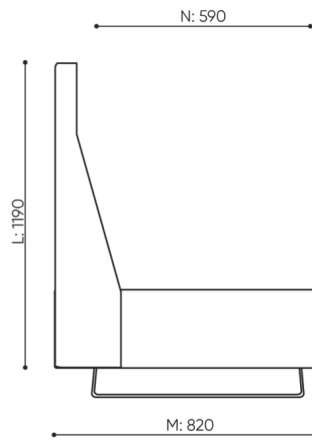
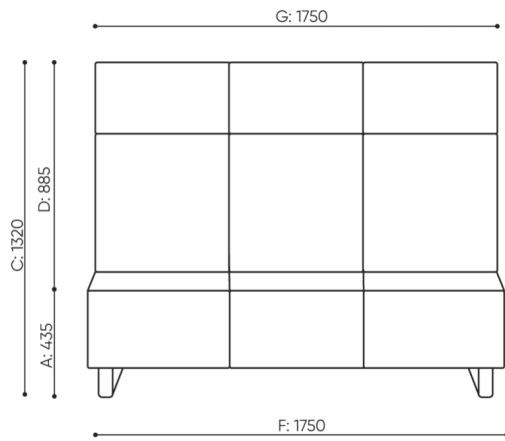
Warning

Check if the product dimension does not conflict with the dimensions of the elevator and the entrance to the building where the product will be installed.

bejot:voo_voo:9xx

dimensions

VV 903



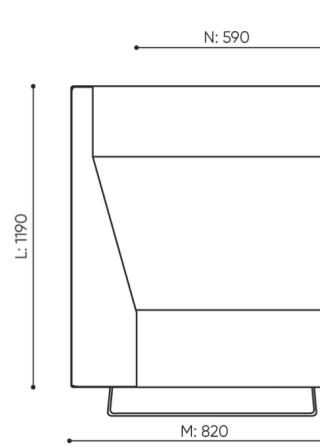
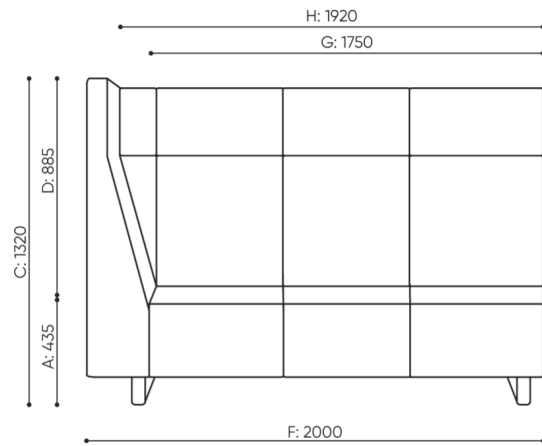
H: 2480 | 1 szt.
W: 1410 | St.
L: 860 | pc.



netto 108
brutto 135

VV 903

bejot:voo_voo:9xx



H: 2140 | 1 szt.
W: 1410 | St.
L: 860 | pc.



netto 87
brutto 105

VV 913

- A seat height: overall dimensions
- B seat height
- C chair height: overall dimensions
- D backrest height
- F chair width: overall dimensions
- G seat width
- H backrest width
- K height from the floor to the armrest
- M chair depth: overall dimensions
- N seat depth / seat length

Dimensions are approximate and may vary depending on the selected product configuration. The requirements of the standard are always met.

materials available for collection

1st price group	Fenno, Keimo, Sawana
2nd price group	Alpa, Charles, Charles - Studio Design, Cura, Pastel, Roccia, Valencia
3rd price group	Ally, Ally SD, Alpa-Studio Design, Blazer, Cura SD, Easy SD, Oceanic, Silvertex , Silvertex - Studio Design, Synergy, Synergy - Studio Design
4th price group	Oceanic-Studio Design, Remix - Studio Design
5th price group	Steelcut Trio 3
Leather	Leather
Metal	Metal - powder coated

bejot:voo_voo:9xx

