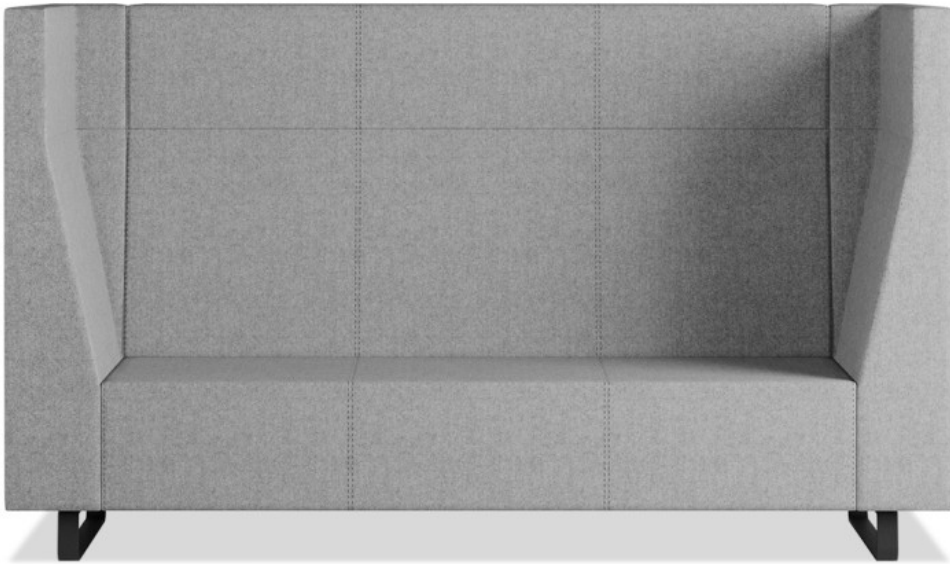


# voo\_voo:9xx

VV 923

: product card



The unique high backs of the Voo\_voo:9xx sofas create private spaces in large open areas such as universities, congress centres and open-space offices. The collection allows you to build flexible seating arrangements with high acoustic properties.

**design:**  
**Bejot Development Team**

**Product website**  
[website link](#)



# bejot:

# collection advantages

## Sound absorption

An idea behind this design is to create a place of isolation in the open space, shopping centres, universities, schools as well as the other public use areas. A high upholstered backrest fulfils a role of the wall partitions, provides sound absorption and creates good acoustic conditions.

## Private room

The Voo Voo 9xx enables to create a "private room" in the office, where we can concentrate on the project or have informal talks.

## technical data

VV 923

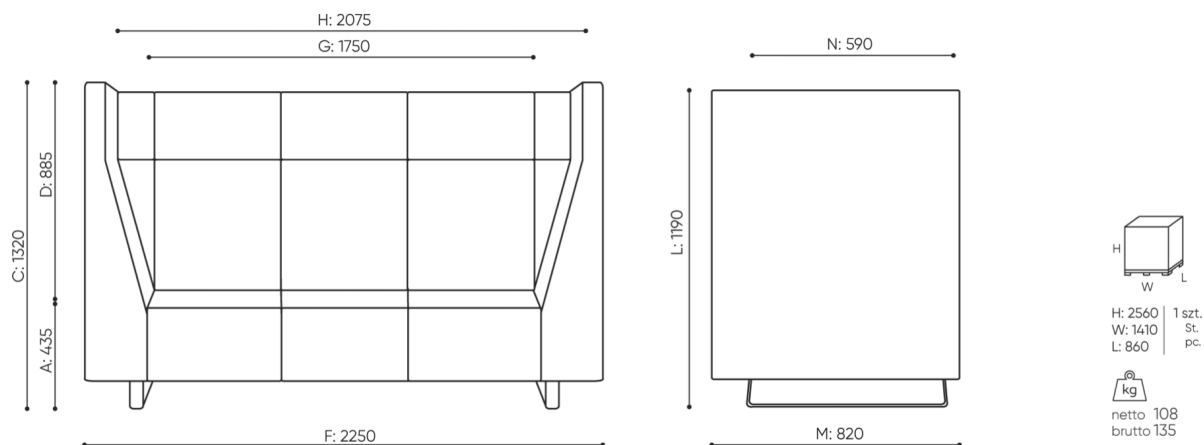
Standard ●  
Option ○

Base	CODE
Chrome / powder coated - color: Copper skid with felt lining	●
Powder painted (colors according to Bejot pattern book)	○
<b>Additional equipment</b>	
Mediaport (black): 1 voltage socket 230V (type E - Poland, France / type F - Germany / type G - United Kingdom) + 2 x USB charger	[type]2VCC ○
Mediaport (black): 2 230V sockets (type E - Poland, France / type F - Germany / type G - United Kingdom)	[type]2VV ○
<b>Warning</b>	
Check if the product dimension does not conflict with the dimensions of the elevator and the entrance to the building where the product will be installed.	

bejot:voo\_voo:9xx

# dimensions

VV 923



VV 923

- A seat height: overall dimensions
- B seat height
- C chair height: overall dimensions
- D backrest height
- F chair width: overall dimensions
- G seat width
- H backrest width
- K height from the floor to the armrest
- M chair depth: overall dimensions
- N seat depth / seat length

Dimensions are approximate and may vary depending on the selected product configuration. The requirements of the standard are always met.

## materials available for collection

1st price group	Fenno, Keimo, Sawana
2nd price group	Alpa, Charles, Charles - Studio Design, Cura, Pastel, Roccia, Valencia
3rd price group	Ally, Ally SD, Alpa-Studio Design, Blazer, Cura SD, Easy SD, Oceanic, Silvertex , Silvertex - Studio Design, Synergy, Synergy - Studio Design
4th price group	Oceanic-Studio Design, Remix - Studio Design
5th price group	Steelcut Trio 3
Leather	Leather
Metal	Metal - powder coated

bejot:voo\_voo:9xx

