

vieni

VE W 742

: product card



An elegant armchair that provides unparalleled comfort. The distinctive Italian design is evident in every detail. It fits perfectly into modern public interiors, domestic interiors and cosy lounge-type spaces. This collection invites you to relax and unwind.

design:
Edi & Paolo Ciani

Product website
[website link](#)



bejot:

collection advantages

Italian design

The Vieni is a spacious and comfortable armchair, ensuring extraordinary comfort. Thanks to a design made by Edie & Paolo Cianich, an expressive language of the Italian design is visible in every detail. A smooth sewing line emphasises a spherical form of the armchair.

Attention to details

Attention to finishing and the highest quality of the used components makes it modern and elegant. The Vieni fits perfectly into the modern public interiors, home spaces and cosy spaces of the lounge type. It is a collection that invites you to rest and relax.

technical data

VE W 742

Standard ●
Option ○

Base

Legs: solid oak wood - natural color (O1)

●

Legs: solid wood - black coloring (O3)

○

Additional equipment

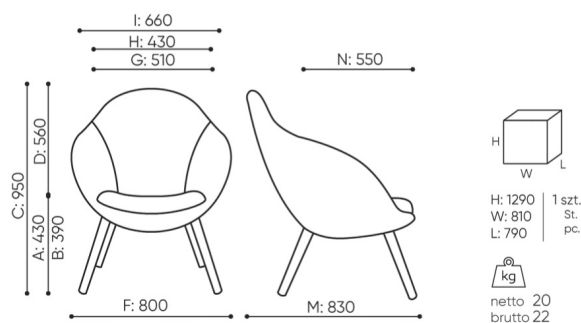
Felt feet on wooden floors and panels

DF

○

dimensions

VE W 742



VE W 742

- A seat height: overall dimensions
- B seat height: measured according to the norm
PN EN 1335 - 1
- C chair height
- D backrest height
- E headrest height
- F dimensional width chair / base
- G seat width
- H backrest width
- I width between armrests
- K height from the floor to the armrest
- L backrest length
- M dimensional chair depth
- N seat depth / seat length

Dimensions are approximate and may vary depending on the selected product configuration. The requirements of the standard are always met.

materials available for collection

1st price group	Fenno
2nd price group	Alaska, Alpa, Charles, Charles - Studio Design, Cura, Pastel, Roccia, Valencia
3rd price group	Ally, Ally SD, Alpa-Studio Design, Blazer, Cura SD, Cyber SD, Easy SD, Oceanic, Silvertex , Silvertex - Studio Design, Synergy, Synergy - Studio Design, Valencia - Studio Design
4th price group	Heritage, Oceanic-Studio Design, Remix - Studio Design
5th price group	Accessoire*, Steelcut Trio 3
Leather	Leather
Wood	Solid oak wood
Metal	Metal - powder coated

bejot:vieni

