

vieni

VE 203

: product card



An elegant armchair that provides unparalleled comfort. The distinctive Italian design is evident in every detail. It fits perfectly into modern public interiors, domestic interiors and cosy lounge-type spaces. This collection invites you to relax and unwind.

design:
Edi & Paolo Ciani

Product website
[website link](#)



bejot:

collection advantages

Italian design

The Vieni is a spacious and comfortable armchair, ensuring extraordinary comfort. Thanks to a design made by Edie & Paolo Cianich, an expressive language of the Italian design is visible in every detail. A smooth sewing line emphasises a spherical form of the armchair.

Attention to details

Attention to finishing and the highest quality of the used components makes it modern and elegant. The Vieni fits perfectly into the modern public interiors, home spaces and cosy spaces of the lounge type. It is a collection that invites you to rest and relax.

technical data

VE 203

Standard ●
Option ○

Base

Powder painted (colors according to the Bejot sampler book) ●

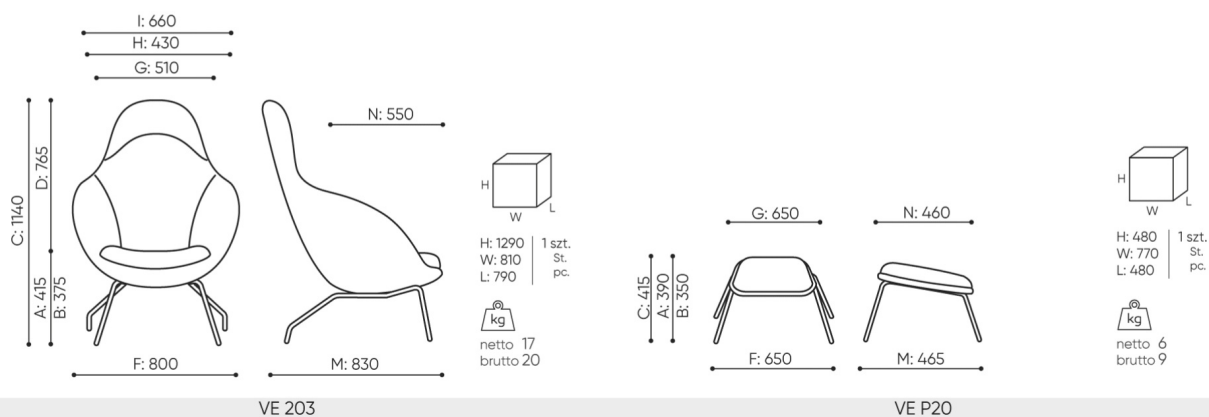
Chromed ○

Additional equipment

Feet on ceramic, concrete and carpet floors ●

dimensions

VE 203



- A seat height: overall dimensions
- B seat height: measured according to the norm
PN EN 1335 - 1
- C chair height
- D backrest height
- E headrest height
- F dimensional width chair / base
- G seat width
- H backrest width
- I width between armrests
- K height from the floor to the armrest
- L backrest length
- M dimensional chair depth
- N seat depth / seat length

Dimensions are approximate and may vary depending on the selected product configuration. The requirements of the standard are always met.

materials available for collection

| | |
|-----------------|---|
| 1st price group | Fenno |
| 2nd price group | Alpa, Charles, Charles - Studio Design, Cura, Pastel, Roccia, Valencia |
| 3rd price group | Ally, Ally SD, Alpa-Studio Design, Blazer, Cura SD, Easy SD, Oceanic, Silvertex , Silvertex - Studio Design, Synergy, Synergy - Studio Design, Valencia - Studio Design |
| 4th price group | Heritage, Oceanic-Studio Design, Remix - Studio Design |
| 5th price group | Accessoire, Steelcut Trio 3 |
| Leather | Leather |
| Wood | Solid oak wood |
| Metal | Metal - powder coated |

bejot:vieni

