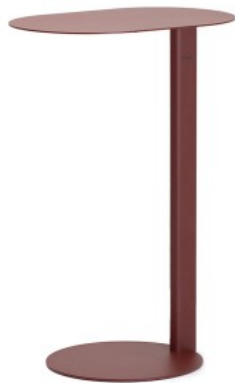


tables:ovall

TB OA M H

: product card



Ovall Tables, designed by Kasper Mose, combine Danish simplicity, functionality, and minimalism. The name Ovall refers to the elegant lines and the simple yet refined form. It aligns with a minimalist concept that draws attention through its simplicity.

The collection includes four models of side tables in two heights and with different tabletop options.

design:
Kasper Mose

Product website
[website link](#)



bejot:

collection advantages

functionality and mobility

The lightweight design of the Oval table allows it to be easily moved closer to a sofa or armchair and quickly relocated to another spot. The two available heights ensure it can easily adapt to various furniture settings.

practical tabletop

The wide tabletop offers enough space to place not only a phone or notebook but also to work briefly on a laptop. The tables are available with two types of tabletops in different thicknesses: a thinner metal one (3 mm thick) and a beveled oak plywood version (19 mm thick).

stable base

The sturdy metal frame is powder-coated and available in colors from our RAL palette, with a textured finish. The bottom surface of the table's base is lined with a felt pad, which prevents the furniture from slipping on smooth surfaces and protects the floor from scratches.

technical data

TB OA M H

Standard ●
Option ○

bejot:tables:ovall

Base

Powder coated metal, only structure colours (according to the Bejot sampler) ●

Glides

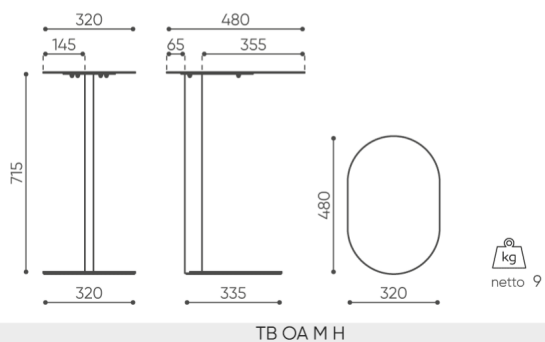
Felt under whole foot ●

Tabletop

Metal (3 mm thick)

dimensions

TB O A M H



Dimensions are approximate and may vary depending on product configuration configuration. Standards are always taken into account.

bejot:tables:ovall

materials available for collection

Tabletop

Finger joint wood

Metal

Metal structure

bejot:tables:ovall

