

# tables:cross

TB CR 180

: product card



A collection of tables with a distinctive combination of industrial character and natural warmth. Offering a unique style, these tables are a perfect match for cafés, canteens and lounge areas. Two height variants allow them to be used as both standard and bar tables.

**design:**  
**Bejot Development Team**

**Product website**  
[website link](#)



**bejot:**

# collection advantages

## Multi-purpose tables

A collection of industrial tables with a characteristic metal leg on a trestle that can be partially made of solid wood.

There are circular, semicircular, square and rectangular tabletops to choose from that can be made from oak plywood, laminated board or HPL. The tables are available in two different heights, so Tables Cross can also function as bar tables.

Their simple and universal design makes them match with various chairs in our offer. We especially recommend combining them with chairs and benches from the Woodbe collection or with the Hens chairs.

Tables Cross will work well in cafés, restaurants, bars and cafeterias. In addition, you can connect individual tables with a stable connector to create long tables for more guests.

## technical data

TB CR 180

Standard   
Option

bejot:tables:cross



### Base

|  |   |                                  |
|--|---|----------------------------------|
| Powder painted (colors according to the Bejot sampler book)  |   | <input checked="" type="radio"/> |
| Powder painted (colors according to the Bejot sampler book) + oak wood finishing, clear varnish matt | W | <input type="radio"/>            |

### Additional equipment

|  |      |                       |
|--|------|-----------------------|
| Table connectors (prevents overlapping table tops) | LTBC | <input type="radio"/> |
|--|------|-----------------------|

### Feet

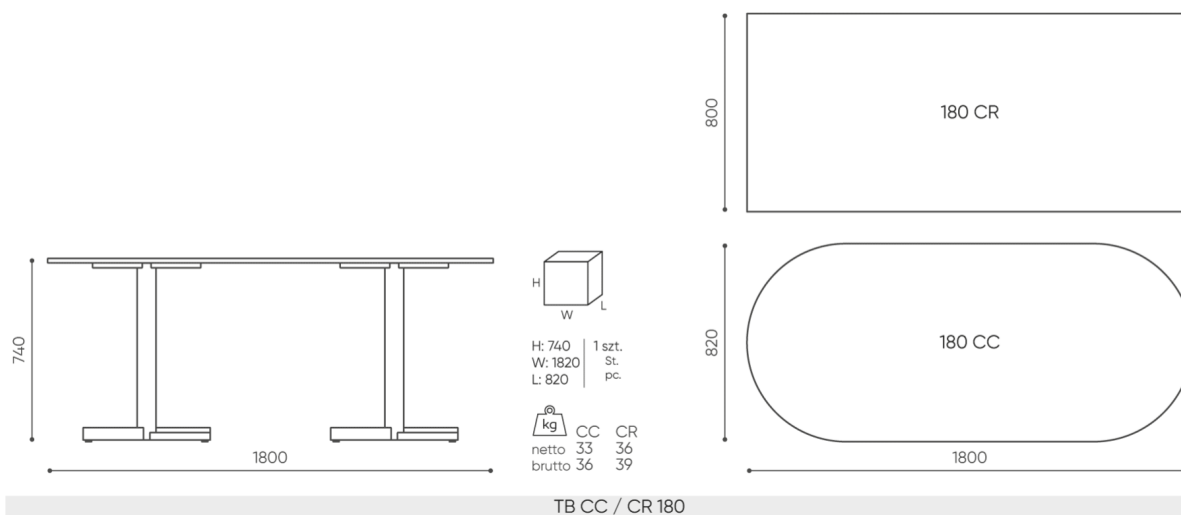
|   |    |                                  |
|---|----|----------------------------------|
| Adjustable feet for ceramic, concrete and carpet floors | LK | <input checked="" type="radio"/> |
| Adjustable felt feet for wooden floors and panels       | LF | <input type="radio"/>            |

### Tabletop

|   |
|---|
| Laminated board (18mm thick)              |
| Finger joint solid oak wood (19 mm thick) |

# dimensions

TB CR 180



**H** height: overall dimensions

**W** width: overall dimensions

**L** epth: overall dimensions

Dimensions are approximate and may vary depending on the selected product configuration. The requirements of the standard are always met.

## materials available for collection

Tabletop

Finger joint wood, Laminated tabletop

Metal

Metal - powder coated



bejot:tables:cross