

spin

SN W TB H

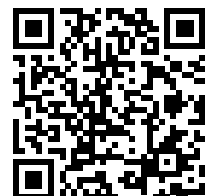
: product card



A diverse collection of loft-style furniture. Solid wood and steel create a unique, austere atmosphere, ideal for modern offices. The high tables, chairs and benches are the perfect choice for bar and canteen arrangements. Upholstered, soft seats make the furniture appealing not only in terms of design but also comfort.

design:
Beata Wilk-Naskręć

Product website
[website link](#)



bejot:

collection advantages

Good design all round

A collection of loft bar chairs, benches and tables that combines solid wood, steel and high-performance fabrics. Spin is proof that everything revolves around good design..

Solid loft-style tables

Spin is a collection of tables with a stable steel structure or wooden legs. The tabletops can be made from laminated board or finger joint oak wood. The Spin tables are perfect for loft-style interiors and can function as an island in a company kitchen or coworking area.

technical data

SN W TB H

Standard ●
Option ○

Base

Legs: solid oak wood - natural color (O1) + powder coated metal construction (colors according to the Bejot sampler) ●

Legs: solid wood - black coloring (O3) + powder coated metal construction (colors according to the Bejot sampler) ○

Tabletop

Laminated board (18 mm thick)

Finger joint solid oak (19 mm thick)

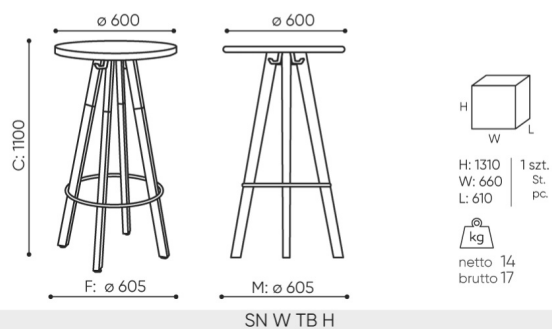
Additional equipment

Bag hangers (construction color) ●

Leg rest (ring), brushed chromium-nickel steel ●

dimensions

SN W TB H



H height: overall dimensions

W width: overall dimensions

L depth: overall dimensions

Dimensions are approximate and may vary depending on the selected product configuration. The requirements of the standard are always met.

materials available for collection

Tabletop

Finger joint wood, Laminated tabletop

Metal

Metal - powder coated

