

# spin

SN W HB1

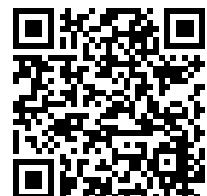
: product card



A diverse collection of loft-style furniture. Solid wood and steel create a unique, austere atmosphere, ideal for modern offices. The high tables, chairs and benches are the perfect choice for bar and canteen arrangements. Upholstered, soft seats make the furniture appealing not only in terms of design but also comfort.

**design:**  
**Beata Wilk-Naskręć**

**Product website**  
[website link](#)



# bejot:

# collection advantages

## Seduces with simplicity

We want to be seduced by simplicity, but at the same time we want objects that surround us to be deeply thought out and technologically advanced. The answer to this is the practical and thrilling Spin collection.

## The most important is the detail

Spin is the proof that everything revolves around a well-designed detail. A detail that not only makes the product visually unique, but also raises comfort to a higher level.

## technical data

SN W HB1

Standard ●  
Option ○

### Base

Legs: solid oak wood - natural color (O1) + powder coated metal construction (colors according to the Bejot sampler)	●
Legs: solid wood - black coloring (O3) + powder coated metal construction (colors according to the Bejot sampler)	○
Footstool (ring) brushed chromium-nickel steel	●
Height adjustment screw	●
A backrest made of plywood colored according to the Bejot sampler (an upholstered front of the backrest), a metal connector, powder coated in the color of the construction	●
A backrest fully upholstered - suggested when choosing oak solid wood legs, a metal connector, powder coated in the color of the structure	○

### Feet

### CODE

Felt feet for wooden floors and panels	WF	●
Feet for ceramic floors, concrete & carpets	WK	○

### Stitches

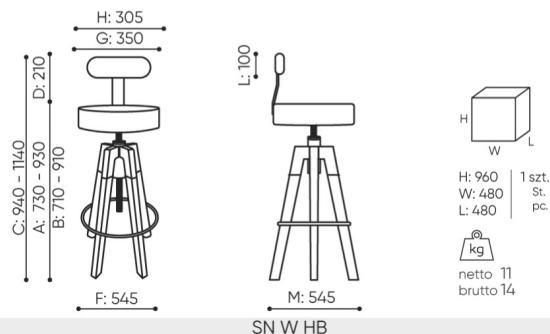
### CODE

Stitches in the colour of upholstery	●
White, grey, orange, red, green or black stitches	○

bejot:spin

# dimensions

SN W HB1



- A seat height: overall dimensions
- B seat height: measured according to the norm PN EN 1335 - 1
- C chair height
- D backrest height
- E headrest height
- F dimensional width chair / base
- G seat width
- H backrest width
- I width between armrests
- K height from the floor to the armrest
- L backrest length
- M dimensional chair depth
- N seat depth / seat length

Dimensions are approximate and may vary depending on the selected product configuration. The requirements of the standard are always met.

## materials available for collection

1st price group	Bond, Fenno, Keimo, Sawana
2nd price group	Alaska, Alpa, Charles, Charles - Studio Design, Cura, Era - Studio Design, Pastel, Roccia, Valencia
3rd price group	Ally, Ally SD, Alpa-Studio Design, Blazer, Cura SD, Cyber SD, Easy SD, Oceanic, Silvertex , Silvertex - Studio Design, Synergy, Synergy - Studio Design, Valencia - Studio Design
4th price group	Heritage, Oceanic-Studio Design, Remix - Studio Design
5th price group	Accessoire*, Steelcut Trio 3
Leather	Leather
Wood	Solid oak wood
Finger joint wood	Finger joint wood
Metal	Metal - powder coated

bejot:spin

