

# selva

## SV HS 5/6 H5/6

: product card



Acoustic panels and screens that effectively reduce noise and improve comfort in open space offices. Designed to absorb the sounds generated by noisy office equipment and co-worker conversations, they allow you to stay more focused.

**design:**  
**Ronald Straubel**

**Product website**  
[website link](#)



# bejot:

# collection advantages

## Take care of your work comfort

The Selva is a response to the need for the greater work comfort, thanks to improved acoustic conditions in the open office space. It provides a possibility of reducing the perceived noise by an average of 8dB, i.e. nearly a half.

## Sound absorption

The products from this collection work perfectly not only between work stations, but also as a complement to the interior in order to absorb sounds generated via the loud office equipment or colleagues.

## technical data

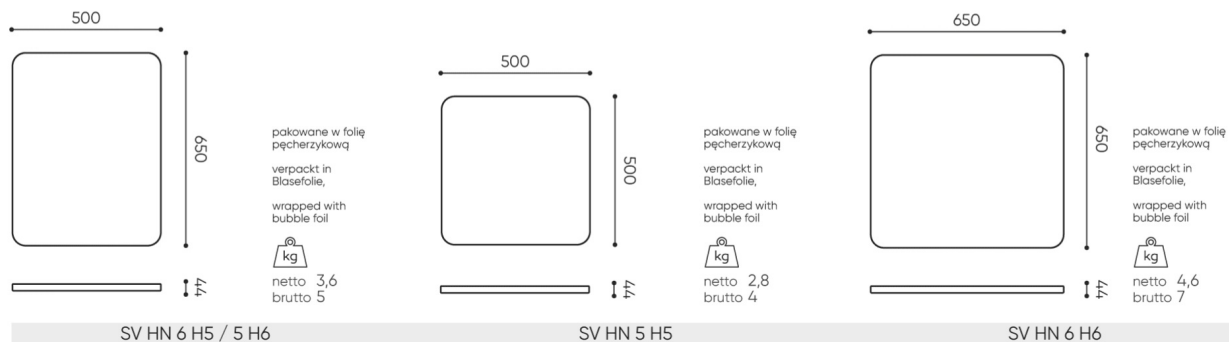
SV HS 5/6 H5/6

Standard ●  
Option ○

Ceiling mounting sets	CODE	
A set of fixings with 3m long cables for hanging 1 panel	SV C1	○
A set of fasteners with 3m long cables for hanging 2 panels of the same width	SV C2	○
A set of fasteners with 3m long cables for hanging 3 panels of the same width	SV C3	○
Assembly cables of non-standard length - extra payment for each additional 1m of lines (set) over 3m		○
<b>Ceiling and floor mounting sets</b>		
A set of fixings with 4m long cables for hanging 1 panel	SV CF1	○
A set of fasteners with 4m long cables for hanging 2 panels of the same width	SV CF2	○
A set of fasteners with 4m long cables for hanging 3 panels of the same width	SV CF3	○
Assembly cables of non-standard length - extra payment for each additional 1m of lines (set) over 4m		○

# dimensions

SV HS 5/6 H5/6



Dimensions are approximate and may vary depending on the selected product configuration. The requirements of the standard are always met.

# materials available for collection

1st price group	Fenno
2nd price group	Alaska, Alpa, Charles, Charles - Studio Design, Cura, Hush, Pastel, Roccia
3rd price group	Ally, Ally SD, Alpa-Studio Design, Blazer, Cura SD, Cyber SD, Easy SD, Oceanic, Rhythm, Synergy, Synergy - Studio Design
4th price group	Heritage, Oceanic-Studio Design, Remix - Studio Design
5th price group	Accessoire*, Steelcut Trio 3

