

# selva

## SV mobile board

**: product card**



Acoustic panels and screens that effectively reduce noise and improve comfort in open space offices. Designed to absorb the sounds generated by noisy office equipment and co-worker conversations, they allow you to stay more focused.

**design:**  
**Ronald Straubel**

**Product website**  
[website link](#)



# bejot:

# collection advantages

## Take care of your work comfort

The Selva is a response to the need for the greater work comfort, thanks to improved acoustic conditions in the open office space. It provides a possibility of reducing the perceived noise by an average of 8dB, i.e. nearly a half.

## Sound absorption

The products from this collection work perfectly not only between work stations, but also as a complement to the interior in order to absorb sounds generated via the loud office equipment or colleagues.

## Acoustic parameters

Sound absorption coefficient  $\alpha_w$  according to PN-EN ISO 11654:1999 - **0,6 (MH)**

Sound absorption class acc. to PN-EN ISO 11654:1999 - **C**

## technical data

SV mobile board

Standard ●  
Option ○

### Base

---

With two arms and castors (soft, with brake), fastened with screws to the bottom of the screen, powder coated

BCW

### Board

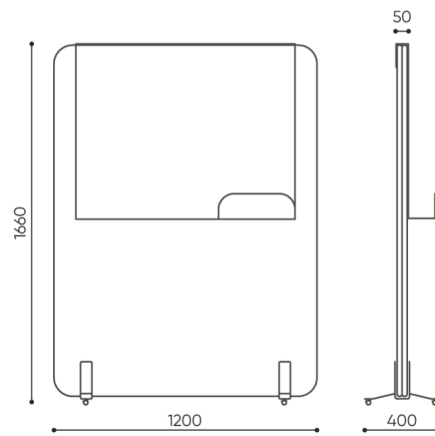
---

Dry erase, magnetic, powder coated in white or black gloss

SV ○ MBL

## dimensions

### SV mobile board



SV SC1200 + BCW + SV O MBL

**H** height: overall dimensions

**W** width: overall dimensions

**L** epth: overall dimensions

Dimensions are approximate and may vary depending on the selected product configuration. The requirements of the standard are always met.

## materials available for collection

1st price group	Bond, Fenno, Sawana
2nd price group	Alaska, Alpa, Charles, Charles - Studio Design, Cura, Era - Studio Design, Hush, Pastel, Roccia
3rd price group	Ally, Ally SD, Alpa-Studio Design, Blazer, Cura SD, Cyber SD, Easy SD, Oceanic, Rhythm, Synergy, Synergy - Studio Design
4th price group	Heritage, Oceanic-Studio Design, Remix - Studio Design
5th price group	Accessoire*, Steelcut Trio 3
Metal	Metal - powder coated

bejot:selva

