

saar

SM RS 2x4

: product card



A modular, functional shelving system with a steel structure. Each shelving unit can be customised with a unique size and shape. Additional accessories like shelves, lockable cabinets, hangers and seats make the Saar system truly multifunctional. The shelving can be hung on a wall or used to divide an open space, build a counter and much more.

design:
Krzysztof Sarnowski

Product website
[website link](#)



bejot:

collection advantages

Function and nobility

A system of industrial shelves with a geometric construction that can be varied with seats, shelves and other accessories. These elements change the function of the furniture, giving it a unique form.

Saar is an extremely functional system for an office or reception, impresses with careful workmanship, attention to every detail and the use of durable and noble materials.

Saar on castors

Shelving on castors guarantees mobility in the spirit of agile philosophy. It will perfectly fulfill its role in interiors that require quick and efficient rearrangement. The sets are available in 2 widths and as many as 4 heights.

technical data

SM RS 2x4

Standard ●
Option ○

Base

Powder coated, colors (structure): white, black, graphite 7024S ●

Castors

Universal castors - 2 with brake + 2 without brake ●

Accessories

Shelf (laminated board or finger joint solid oak wood)	SM SF
Box (laminated board or finger joint solid oak wood)	SM CH1
Window open from both sides (laminated board or finger joint solid oak wood)	SM WW
Window closed on one side (laminated board or finger joint solid oak wood)	SM WWB
Scupboard with door (T - without lock, K - key lock, S - electronic combination lock)	SM WWD
Hanger (powder coated in the color of the base)	SM HG

Seats (available in various sizes)

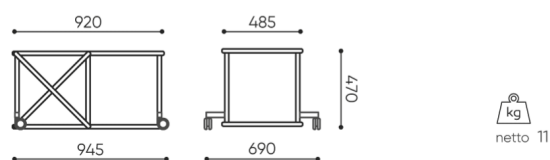
Hard seats (laminated board or finger joint solid oak wood)	SM PF
Soft seats (upholstered)	SM PF S

Panels and boards (available in various sizes)

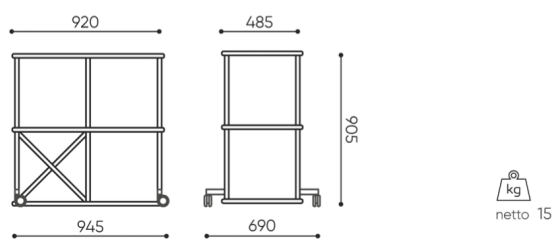
Hard panels (laminated board or finger joint solid oak wood)	SM PH
Acoustic panels (upholstered)	SM PA
TV mounting panels	SM TV
Dry erase magnetic board	SM MB

dimensions

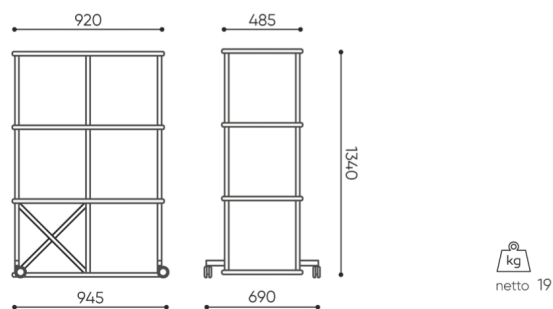
SM RS 2x4



SM RS 2X1

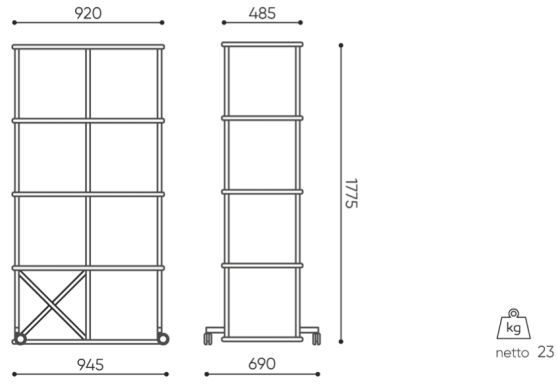


SM RS 2X2



SM RS 2X3

bejot:saar



SM RS 2X4

- H** height: overall dimensions
- W** width: overall dimensions
- L** depth: overall dimensions

Dimensions are approximate and may vary depending on the selected product configuration. The requirements of the standard are always met.

materials available for collection

1st price group	Bond, Fenno, Sawana
2nd price group	Charles, Charles - Studio Design, Cura, Pastel, Roccia
3rd price group	Ally, Ally SD, Blazer, Cura SD, Easy SD, Oceanic, Silvertex , Synergy, Synergy - Studio Design
4th price group	Heritage, Oceanic-Studio Design, Remix - Studio Design
5th price group	Steelcut Trio 3
Tabletop	Finger joint wood, Laminated tabletop
Metal	Metal structure

