

plint

PL 30 SSS + WRL + WB 30

: product card



Plint represents timeless Scandinavian design and proven technological solutions. Based on years of experience in the production of office seating and acoustic furniture, we have developed an excellent modular system with walls filled with high-quality acoustic foams.

design:
Kasper Mose

Product website
[website link](#)



bejot:

collection advantages

Danish designer modular sofas

Plint sofas are comfortable seats with a durable steel frame and limitless possibilities of arrangement. The set consists of poufs, sofas, tables and acoustic walls.

Plint stands for timeless Scandinavian design and proven technological solutions. Thanks to dedicated connectors and a base that consists of cubes, only one person is enough to assemble the furniture.

For large and bustling spaces, we recommend supplementing the sets with walls that are filled in with high-quality acoustic foam. They limit the amount of noise that comes from outside and ensure intimacy of conversations.

technical data

PL 30 SSS + WRL + WB 30

Standard ●
Option ○

Base

Powder painted (colors according to the Bejot pattern book) ●

Tabletop

Laminated board top (colors according to the Bejot sampler book) ●

Finger joint solid oak table top (colour according to the Bejot sample book) ○

Connectors

Independent connector for connecting 2 bases L-PL ○

Glides

Glides for ceramic floors, concrete and carpets PK ●

Felt glides for wooden floors and floor panels PF ○

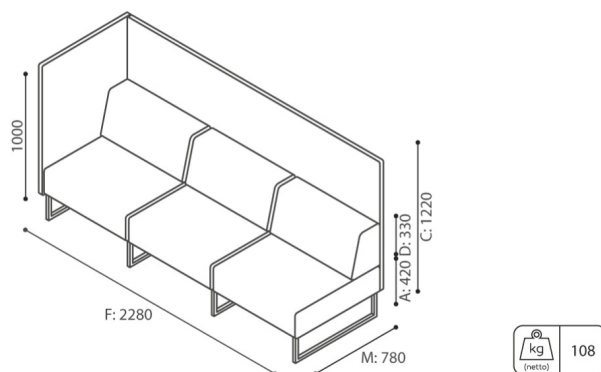
Mediaport (mounted to the seat)

Round PIX mediaport (white-W or black-B) - 1 voltage socket 230 V [type]IV ○

Round PIX mediaport (white-W or black-B) - 2 x USB charger M1CC ○

dimensions

PL 30 SSS + WRL + WB 30



PL 30 SSS + PL WR + PL WB 30

- A** seat height: overall dimensions
- B** seat height
- C** chair height: overall dimensions
- D** backrest height
- F** chair width: overall dimensions
- G** seat width
- H** backrest width
- K** height from the floor to the armrest
- M** chair depth: overall dimensions
- N** seat depth / seat length

Dimensions are approximate and may vary depending on the selected product configuration. The requirements of the standard are always met.

materials available for collection

1st price group	Bond, Fenno, Keimo, Sawana
2nd price group	Alpa, Charles, Charles - Studio Design, Cura, Pastel, Roccia, Valencia
3rd price group	Ally, Ally SD, Alpa-Studio Design, Blazer, Cura SD, Easy SD, Oceanic, Silvertex , Silvertex - Studio Design, Synergy, Synergy - Studio Design, Valencia - Studio Design
4th price group	Heritage, Oceanic-Studio Design, Remix - Studio Design
5th price group	Accessoire, Steelcut Trio 3
Leather	Leather
Tabletop	Finger joint wood, Laminated tabletop
Metal	Metal - powder coated

bejot:plint

