

# ox:co\_small

OXS LH

: product card



A smaller version of the extremely popular chair collection, its well-known design retained in a smaller shell form. With its new dimensions, the chair takes up less space, making it lighter and more mobile. Ox:co small strikes the perfect balance between design, functionality and price.

**design:**  
**Bejot Development Team**

**Product website**  
[website link](#)



**bejot:**

# collection advantages

## A classic in a mini version

Ox:co is an extremely popular collection which became a permanent fixture in our clients' offices, homes and hotels. The mini version is a well-known design in a smaller bucket.

With its new size, the armchair takes up less space, is lighter and thus more mobile. Ox:co small is the perfect balance between design, functionality and price.

## High and low benches

Two-person seats mounted on bases consistent with other products in the collection.

Using benches instead of chairs allows you to build a less formal atmosphere conducive to building good interpersonal relationships.

Ox:co small bench is a timeless design with character. They are perfect for public spaces, office relaxation areas and canteens.

## technical data

OXS LH

Standard ●  
Option ○

### Base

Powder painted (colors according to the Bejot sampler book) ●

### Feet

Feet for soft floor

TK ●

Felt feet for hard floor

TF ○

### Description

### Code

Dedicated to tables with a height of 1100 mm

OXS LH

Dedicated to tables with a height of 900 mm

OXS LHN

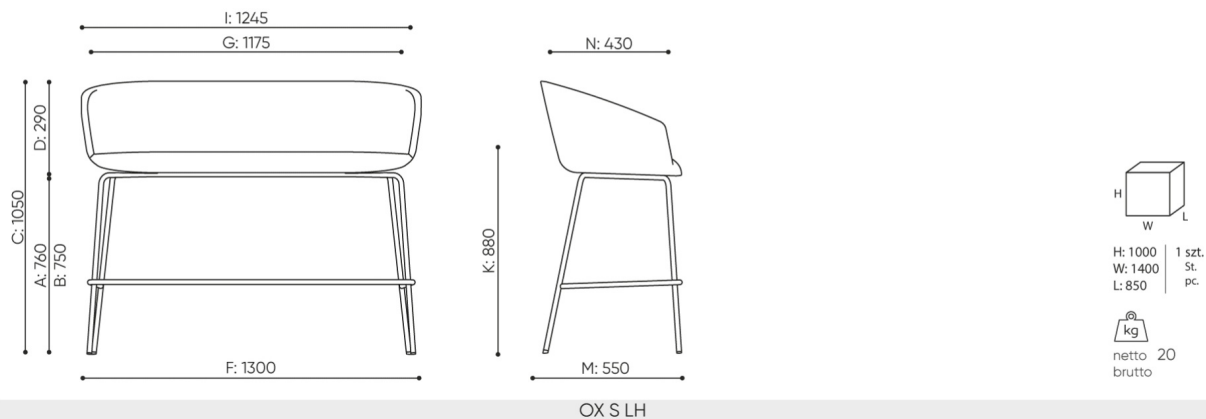
Dedicated to tables with a height of 740 mm

OXS L215

bejot:ox:co\_small

# dimensions

## OXS LH



- A seat height: overall dimensions
- B seat height: measured according to the norm  
PN EN 1335 - 1
- C chair height
- D backrest height
- E headrest height
- F dimensional width chair / base
- G seat width
- H backrest width
- I width between armrests
- K height from the floor to the armrest
- L backrest length
- M dimensional chair depth
- N seat depth / seat length

Dimensions are approximate and may vary depending on the selected product configuration. The requirements of the standard are always met.

## materials available for collection

1st price group	Bond, Fenno, Keimo, Sawana
2nd price group	Alaska, Alpa, Charles, Charles - Studio Design, Cura, Pastel, Roccia, Valencia
3rd price group	Ally, Ally SD, Alpa-Studio Design, Blazer, Cura SD, Cyber SD, Easy SD, Oceanic, Silvertex , Silvertex - Studio Design, Synergy, Valencia - Studio Design
4th price group	Heritage, Oceanic-Studio Design
5th price group	Accessoire*, Steelcut Trio 3
Leather	Leather

bejot:ox:co\_small

