

# ox:co\_small

OX S HN

: product card



A smaller version of the extremely popular chair collection, its well-known design retained in a smaller shell form. With its new dimensions, the chair takes up less space, making it lighter and more mobile. Ox:co small strikes the perfect balance between design, functionality and price.

**design:**  
**Bejot Development Team**

**Product website**  
[website link](#)



**bejot:**

# collection advantages

## Comfortable bar chair

The bar stools from the Ox:co small collection offer maximum seating comfort with a stylish shape at the same time. The bucket adjusts to the line of the back and provides excellent support for a fatigued spine. The metal frame features a comfortable footrest.

Bar stools are becoming more and more common. They appear not only in pubs and cafes, but are also often used in offices and homes.

Ox:co is a popular collection designed by Włodzimierz Orsztynowicz, which has been enthusiastically bought by our customers for years. The mini version is a well-known design retained in a smaller bucket form.

## technical data

OX S HN

Standard ●  
Option ○

### Base

---

Powder painted (colors according to the Bejot sampler book) ●

### Feet

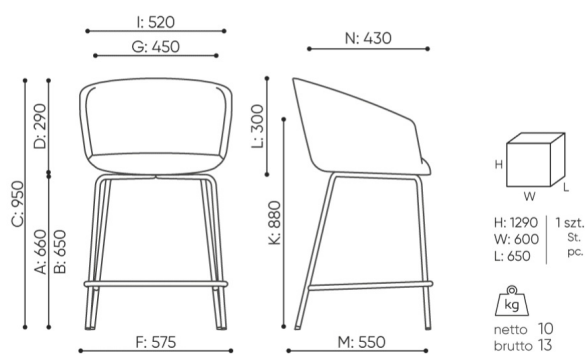
---

Feet for soft floor TK ●

Felt feet for hard floor TF ○

# dimensions

## OX S HN



OX S HN

- A seat height: overall dimensions
- B seat height: measured according to the norm  
PN EN 1335 - 1
- C chair height
- D backrest height
- E headrest height
- F dimensional width chair / base
- G seat width
- H backrest width
- I width between armrests
- K height from the floor to the armrest
- L backrest length
- M dimensional chair depth
- N seat depth / seat length

Dimensions are approximate and may vary depending on the selected product configuration. The requirements of the standard are always met.

## materials available for collection

1st price group	Bond, Fenno, Keimo, Sawana
2nd price group	Alaska, Alpa, Charles, Charles - Studio Design, Cura, Pastel, Roccia, Valencia
3rd price group	Ally, Ally SD, Alpa-Studio Design, Blazer, Cura SD, Cyber SD, Easy SD, Oceanic, Silvertex , Silvertex - Studio Design, Synergy, Synergy - Studio Design, Valencia - Studio Design
4th price group	Heritage, Oceanic-Studio Design, Remix - Studio Design
5th price group	Accessoire*, Steelcut Trio 3
Leather	Leather
Metal	Metal - powder coated, Metal ALU/chrom

bejot:ox:co\_small

