

# OX:CO

## OX W 790

### : product card



A recognisable collection that has become a permanent fixture in many interiors. The eye-catching design of this armchair perfectly emphasises the minimalist yet intriguing form of the seat. Thanks to the unique combination of various materials, the simplicity of the bucket construction acquires a distinctive character.

**design:**  
**Włodzimierz Orsztynowicz**

**Product website**  
[website link](#)



# bejot:

# collection advantages

## Simple, but not banal

As it frequently happens, the simplest solutions are the best, but simple does not mean banal. Therefore, you cannot remain indifferent to the Ox:co design. Thanks to the use of the original combination of the materials, the simple but interesting form of the bucket was emphasised.

## Nonconformist design

A non-conformist, eye-catching design of this armchair cleanses the atmosphere from boredom. It will add character to any interior, and you will provide the highest standard of convenience, no matter where it finds its place.

## technical data

OX W 790

Standard ●  
Option ○

### Base

---

- Powder painted + skid made of solid oak wood - natural color (O1) ●
- Powder painted + skid made of solid wood - black coloring (O3) ○

### Finishing the skid

---

- Wooden skid without felt WSK ●
- Wooden skid finished with felt WSF ○

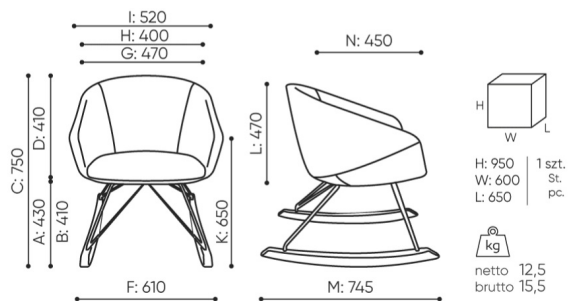
### Upholstery

---

- Possibility of upholstery in 3 different colors within 1 fabric ○

# dimensions

## OX W 790



OX W 790

- A seat height: overall dimensions
- B seat height: measured according to the norm  
PN EN 1335 - 1
- C chair height
- D backrest height
- E headrest height
- F dimensional width chair / base
- G seat width
- H backrest width
- I width between armrests
- K height from the floor to the armrest
- L backrest length
- M dimensional chair depth
- N seat depth / seat length

Dimensions are approximate and may vary depending on the selected product configuration. The requirements of the standard are always met.

## materials available for collection

|                   |   |
|-------------------|---|
| 1st price group   | Bond, Fenno, Keimo, Sawana  |
| 2nd price group   | Alaska, Alpa, Charles, Charles - Studio Design, Cura, Pastel, Roccia, Valencia  |
| 3rd price group   | Ally, Ally SD, Alpa-Studio Design, Blazer, Cura SD, Cyber SD, Easy SD, Oceanic, Silvertex , Silvertex - Studio Design, Synergy, Synergy - Studio Design, Valencia - Studio Design |
| 4th price group   | Heritage, Oceanic-Studio Design, Remix - Studio Design  |
| 5th price group   | Accessoire*, Steelcut Trio 3  |
| Leather           | Leather   |
| Wood              | Solid oak wood  |
| Metal             | Metal - powder coated   |
| Decorative stitch | Decorative stitch   |

bejot:ox:co

