

# be:basic offer

OT 220 A be:basic

: product card



Products withdrawn from the offer with extended lead time.  
Available only while stock lasts.

**design:**

**Product website**  
[website link](#)



**bejot:**

# collection advantages

## technical data

OT 220 A be:basic

Standard ●  
Option ○

### Base

Powder painted (colors according to the Bejot sampler book) ●

### The colors of chairs' finishing

CPL white/ charcoal/ black ●

### Armrests / writing tablet

Polyurethane armrests, black PU ●

Mobile writing desk: CPL P ○

### Additional equipment

Black underside of the seat, protecting chairs against scratching during stacking (for chairs without a connector) CP ●

Distances to protect against scratching during stacking for version 1N (for chairs with connectors) DN ○

Panel protecting the seat during the stacking function (for chairs with a connector) CV ○

The connector attached to the chair seat L ○

### Feet

#### CODE

Feet for ceramic floors, concrete and carpets CK ●

Felt feet for wooden floors and panels CF ○

### The system of joining rows and rows with each other

#### CODE

The molding connecting 4 chairs (length 3000 mm) LR1 ○

Set: The bar combining 4 chairs (length: 3000 mm)+ 2 x row connector (length: 1000 mm) LR4-SET ○

### Code names marks

#### CODE

Whole CPL 1N

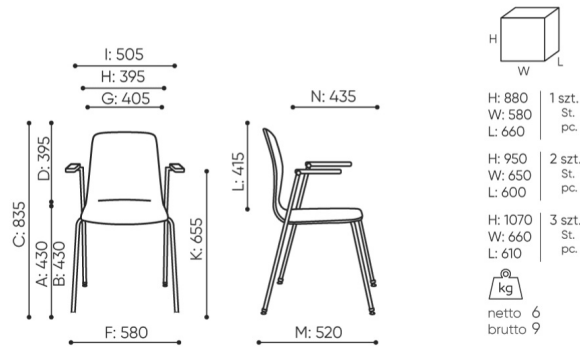
Upholstered seat cover 2N

### Product available while stocks last

bejot:be:basic offer

# dimensions

OT 220 A be:basic



OT 220 1N A

- A seat height: overall dimensions
- B seat height: measured according to the norm PN EN 1335 - 1
- C chair height
- D backrest height
- E headrest height
- F dimensional width chair / base
- G seat width
- H backrest width
- I width between armrests
- K height from the floor to the armrest
- L backrest length
- M dimensional chair depth
- N seat depth / seat length

Dimensions are approximate and may vary depending on the selected product configuration. The requirements of the standard are always met.



bejot:be:basic offer