

orte

OT 220

: product card



The Orte collection is a wide range of chairs, hockers, benches and tables , which conceal functionality and versatility. The lightness of construction goes hand in hand with high durability confirmed by laboratory tests. The collection has been a bestseller in our offer for many years.

design:
Włodzimierz Orsztynowicz

Product website
[website link](#)



bejot:

collection advantages

additional functionality

Backrest milling to allow bag hanging is available as an option.

movable desktop

Selected models can be equipped with a movable desktop for taking notes during a meeting or conference.

easy combination

The OT 215 and OT 220 models can be optionally equipped with a system that allows them to be connected in rows and rows among each other.

technical data

OT 220

Standard ●
Option ○

bejot:orte

Base

Powder painted (colors according to the Bejot sampler book) ●

The colors of chairs' finishing

CPL white/ charcoal/ black ●

Armrests / writing tablet

Polyurethane armrests, black PU ●

Mobile writing desk: CPL P ○

Additional equipment

Black underside of the seat, protecting chairs against scratching during stacking (for chairs without a connector) CP ●

Distances to protect against scratching during stacking for version 1N (for chairs with connectors) DN ○

Panel protecting the seat during the stacking function (for 2N / 3N / 4N / 3D chairs with a connector) CV ○

The connector attached to the chair seat L ○

Back support for hanging the bag (up for version 1N / 2N) FO ○

Feet

Feet on ceramic, concrete and carpet floors CK ●

Felt feet on wooden floors and panels CF ○

The system of joining rows and rows with each other

The molding connecting 4 chairs (length 3000 mm) LR1 ○

Set: The bar combining 4 chairs (length: 3000 mm)+ 2 x row connector (length: 1000 mm) LR4-SET ○

Code names marks

Whole CPL

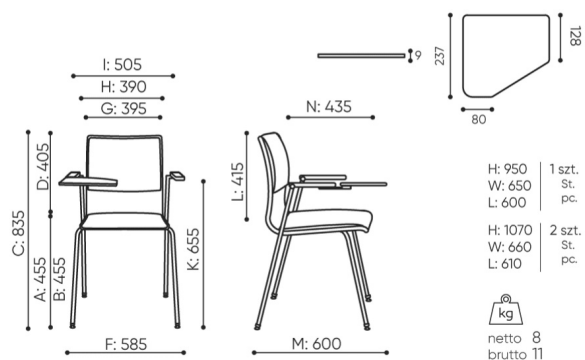
CODE

1N

Upholstered seat cover	2N
Upholstered seat and backrest cover	3N
Whole upholstered	4N
Horizontal stitches on the seat and backrest (front and back).	3D

dimensions

OT 220



OT 220 3N P

- A seat height: overall dimensions
- B seat height: measured according to the norm
PN EN 1335 - 1
- C chair height
- D backrest height
- E headrest height
- F dimensional width chair / base
- G seat width
- H backrest width
- I width between armrests
- K height from the floor to the armrest
- L backrest length
- M dimensional chair depth
- N seat depth / seat length

Dimensions are approximate and may vary depending on the selected product configuration. The requirements of the standard are always met.

materials available for collection

1st price group	Bond, Fenno, Keimo, Sawana
2nd price group	Alpa, Charles, Charles - Studio Design, Cura, Pastel, Roccia, Valencia
3rd price group	Ally, Ally SD, Alpa-Studio Design, Blazer, Cura SD, Easy SD, Oceanic, Silvertex , Silvertex - Studio Design, Synergy, Synergy - Studio Design, Valencia - Studio Design
4th price group	Heritage, Oceanic-Studio Design, Remix - Studio Design
5th price group	Accessoire, Steelcut Trio 3
Leather	Leather
Wood	Solid oak wood
CPL	Laminate
Metal	Metal - powder coated
Decorative stitch	Decorative stitch

bejot:orte

