

orte

OT W H

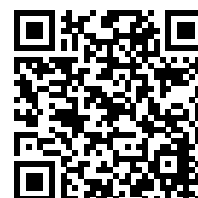
: product card



The Orte collection is a wide range of chairs, hockers, benches and tables , which conceal functionality and versatility. The lightness of construction goes hand in hand with high durability confirmed by laboratory tests. The collection has been a bestseller in our offer for many years.

design:
Włodzimierz Orsztynowicz

Product website
[website link](#)



bejot:

collection advantages

functionality and lightness

Thanks to the use of high-quality materials, the Orte hockers are perfectly suited to office spaces where employees relax, take meals or enjoy a coffee break. They are available on a four-legged wooden or metal construction on skids.

technical data

OT W H

Standard ●
Option ○

Base

- Legs: solid oak wood - natural color (O1) + reinforced with chromed metal rod ●
- Legs: wooden - coloring (O3) + reinforced with chromed metal rod ○

The colors of chairs' finishing

- CPL white/ charcoal/ black ●

Feet

CODE

- Felt feet for wooden floors and panels WF ●
- Feet for ceramic floors, concrete and carpets WK ○

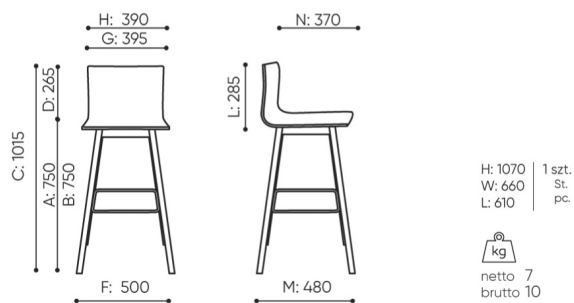
Code names marks

CODE

- Whole CPL/ plywood 1N
- Whole upholstered 4N
- Whole upholstered with horizontal stitches 3D

dimensions

OT W H



OT W H 1N

- A seat height: overall dimensions
- B seat height: measured according to the norm
PN EN 1335 - 1
- C chair height
- D backrest height
- E headrest height
- F dimensional width chair / base
- G seat width
- H backrest width
- I width between armrests
- K height from the floor to the armrest
- L backrest length
- M dimensional chair depth
- N seat depth / seat length

Dimensions are approximate and may vary depending on the selected product configuration. The requirements of the standard are always met.

materials available for collection

1st price group	Bond, Fenno, Keimo, Sawana
2nd price group	Alpa, Charles, Charles - Studio Design, Cura, Pastel, Roccia, Valencia
3rd price group	Ally, Ally SD, Alpa-Studio Design, Blazer, Cura SD, Easy SD, Oceanic, Silvertex , Silvertex - Studio Design, Synergy, Synergy - Studio Design, Valencia - Studio Design
4th price group	Heritage, Oceanic-Studio Design, Remix - Studio Design
5th price group	Accessoire, Steelcut Trio 3
Leather	Leather
Wood	Solid oak wood
CPL	Laminate

bejot:orte

