

orte

OT H

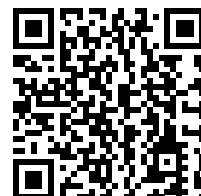
: product card



The Orte collection is a wide range of chairs, hockers, benches and tables , which conceal functionality and versatility. The lightness of construction goes hand in hand with high durability confirmed by laboratory tests. The collection has been a bestseller in our offer for many years.

design:
Włodzimierz Orsztynowicz

Product website
[website link](#)



bejot:

collection advantages

functionality and lightness

Thanks to the use of high-quality materials, the Orte hockers are perfectly suited to office spaces where employees relax, take meals or enjoy a coffee break. They are available on a four-legged wooden or metal construction on skids.

technical data

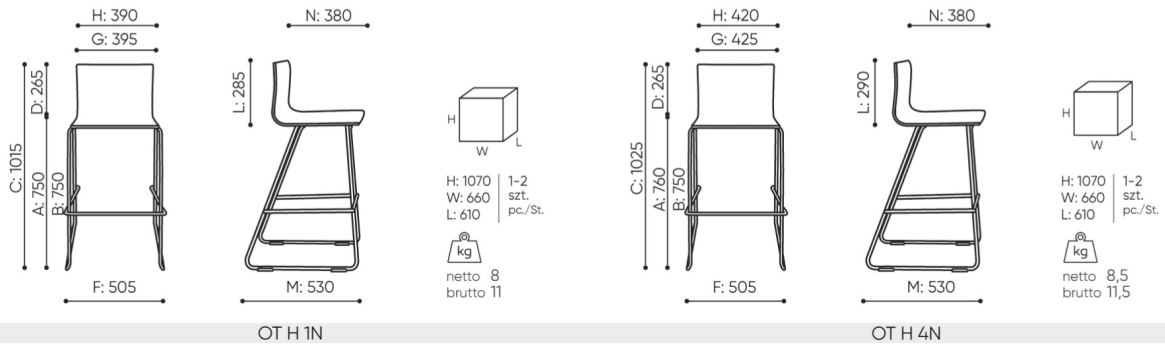
OT H

Standard ●
Option ○

| Base | CODE | |
|-------------------------------------------------|------|---|
| Chromed | | ● |
| The colors of chairs' finishing | | |
| CPL white/ charcoal/ black | | ● |
| Slides | | |
| Glides for ceramic floors, concrete and carpets | PK | ● |
| Felt glides for wooden floors and floor panels | PF | ○ |
| Code names marks | | |
| Whole CPL | 1N | |
| Whole upholstered | 4N | |
| Whole upholstered with horizontal stiches | 3D | |

dimensions

OT H



- A seat height: overall dimensions
- B seat height: measured according to the norm PN EN 1335 - 1
- C chair height
- D backrest height
- E headrest height
- F dimensional width chair / base
- G seat width
- H backrest width
- I width between armrests
- K height from the floor to the armrest
- L backrest length
- M dimensional chair depth
- N seat depth / seat length

Dimensions are approximate and may vary depending on the selected product configuration. The requirements of the standard are always met.

materials available for collection

| | |
|-----------------|-------------------------------------------------------------------------------------------------------------------------------------------------------------------------|
| 1st price group | Bond, Fenno, Keimo, Sawana |
| 2nd price group | Alpa, Charles, Charles - Studio Design, Cura, Pastel, Roccia, Valencia |
| 3rd price group | Ally, Ally SD, Alpa-Studio Design, Blazer, Cura SD, Easy SD, Oceanic, Silvertex , Silvertex - Studio Design, Synergy, Synergy - Studio Design, Valencia - Studio Design |
| 4th price group | Heritage, Oceanic-Studio Design, Remix - Studio Design |
| 5th price group | Accessoire, Steelcut Trio 3 |
| Leather | Leather |
| Wood | Solid oak wood |
| CPL | Laminate |

