

orte

OT AH 4R

: product card



The Orte collection is a wide range of chairs, hockers, benches and tables , which conceal functionality and versatility. The lightness of construction goes hand in hand with high durability confirmed by laboratory tests. The collection has been a bestseller in our offer for many years.

design:
Włodzimierz Orsztynowicz

Product website
[website link](#)



bejot:

collection advantages

functionality & lightness

By definition, Orte is an economic form that conceals functionality and versatility. The lightness of the design goes hand in hand with certified durability.

many possibilities

Three models with different bases are available: with and without swivel mechanism with castors, as well as on four legs with castors.

technical data

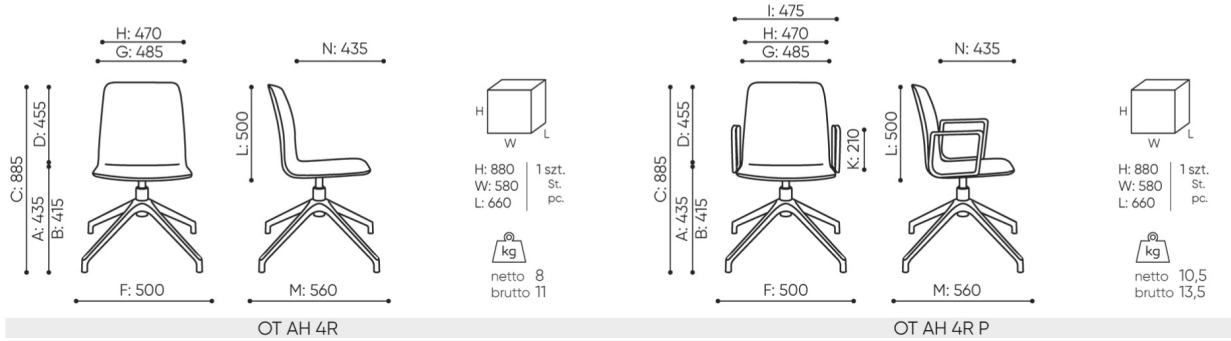
OT AH 4R

Standard ●
Option ○

Mechanism	CODE	
Rotatable, without height adjustment	A1	●
Rotable mechanism with 3d motion function (forward, backward and sideways) without height adjustment	O4	○
Rotatable, comfortable rocker mechanism with rubber joint and a lock in 1 position (rear tilt: 7 °; front tilt: -4 °) without height adjustment	AR4	○
Base		
Polished aluminium 4-star base (chrome effect) Ø700	38	●
Powder coated aluminium 4-star base (colors according to Bejot sampler book) Ø700	39	○
Armrests		
Without arms		●
Made of Ø18 pipe, powder coated without an pad	P24P	○
Powder coated armrests + leather pad	P21P	○
Feet		
Feet on ceramic, concrete and carpet floors	TK	●
Felt feet on wooden floors and panels	TF	○

dimensions

OT AH 4R



- A seat height: overall dimensions
- B seat height: measured according to the norm
PN EN 1335 - 1
- C chair height
- D backrest height
- E headrest height
- F dimensional width chair / base
- G seat width
- H backrest width
- I width between armrests
- K height from the floor to the armrest
- L backrest length
- M dimensional chair depth
- N seat depth / seat length

Dimensions are approximate and may vary depending on the selected product configuration. The requirements of the standard are always met.

materials available for collection

1st price group	Bond, Fenno, Keimo, Sawana
2nd price group	Alpa, Charles, Charles - Studio Design, Cura, Era - Studio Design, Roccia, Valencia
3rd price group	Ally, Ally SD, Alpa-Studio Design, Blazer, Cura SD, Easy SD, Oceanic, Silvertex , Silvertex - Studio Design, Synergy, Synergy - Studio Design, Valencia - Studio Design
4th price group	Oceanic-Studio Design, Remix - Studio Design
5th price group	Steelcut Trio 3
Leather	Leather
Metal	Metal - powder coated

bejot:orte

