

# orte

## OT AH 260

### : product card



The Orte collection is a wide range of chairs, hockers, benches and tables , which conceal functionality and versatility. The lightness of construction goes hand in hand with high durability confirmed by laboratory tests. The collection has been a bestseller in our offer for many years.

**design:**  
**Włodzimierz Orsztynowicz**

**Product website**  
[website link](#)



# bejot:

# collection advantages

## functionality & lightness

By definition, Orte is an economic form that conceals functionality and versatility. The lightness of the design goes hand in hand with certified durability.

## many possibilities

Three models with different bases are available: with and without swivel mechanism with castors, as well as on four legs with castors.

## technical data

OT AH 260

Standard ●  
Option ○

### Base

Powder painted (colors according to the Bejot sampler) ●

### Armrests

Without arms ●

Made of Ø18 pipe, powder coated without an pad P24P ○

Powder coated armrests + leather pad P21P ○

### Castors

#### CODE

Hard castors for soft floors Ø 65 with auto-brake DEMA ●

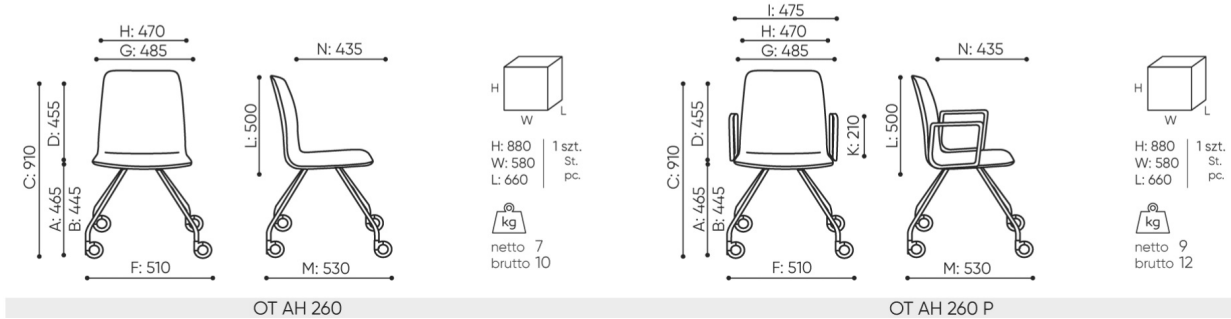
Soft castors for hard floors Ø 65 with auto-brake DEMAD ○

Universal castors, chrome DEMD-C ○

Universal castors without brake, color white RL W4 ○

# dimensions

## OT AH 260



- A seat height: overall dimensions
- B seat height: measured according to the norm PN EN 1335 - 1
- C chair height
- D backrest height
- E headrest height
- F dimensional width chair / base
- G seat width
- H backrest width
- I width between armrests
- K height from the floor to the armrest
- L backrest length
- M dimensional chair depth
- N seat depth / seat length

Dimensions are approximate and may vary depending on the selected product configuration. The requirements of the standard are always met.

## materials available for collection

1st price group	Bond, Fenno, Keimo, Sawana
2nd price group	Alpa, Charles, Charles - Studio Design, Cura, Era - Studio Design, Roccia, Valencia
3rd price group	Ally, Ally SD, Alpa-Studio Design, Blazer, Cura SD, Easy SD, Oceanic, Silvertex , Silvertex - Studio Design, Synergy, Synergy - Studio Design, Valencia - Studio Design
4th price group	Oceanic-Studio Design, Remix - Studio Design
5th price group	Steelcut Trio 3
Leather	Leather
Metal	Metal - powder coated

bejot:orte

