

nubi

NB PO23

: product card



Nubi is a timeless, original line of furniture reminiscent of the mid-century style. It is defined by its organic shape and soft form with rounded edges, which lends lightness and elegance to the interior. The collection consists of very comfortable sofas, pouffes and round acoustic walls.

design:
Weronika Politowicz

Product website
[website link](#)



bejot:

collection advantages

ideal for public spaces

Thanks to the materials used, Nubi meets the requirements of intensively used public interiors and can enhance hotel lobbies and the open spaces of offices, banks and shopping centres.

choose your colour

Nubi has the advantage of being able to choose the type and colour of the upholstery and to personalise the base (powder-coated metal or oak wooden legs).

additional top

A small table mounted to the seat allows you to put down your phone, notepad or small laptop.

technical data

NB PO23

Standard ●
Option ○

Base

Legs: powder coated

●

Legs: solid oak wood - natural color

O1

○

Feet

Adjustable feet for ceramic, concrete and carpet floors

LK

●

Adjustable felt feet for wooden floors and panels

LF

○

Mediaport

Round PIX mediaport (black-B) - 1 voltage socket 230 V

[type]IV

○

Round PIX mediaport (black-B) - 2 x USB charger

M1CC

○

Table

Powder coated + laminated board top

TL

○

Powder coated + finger joint solid oak top

TO

○

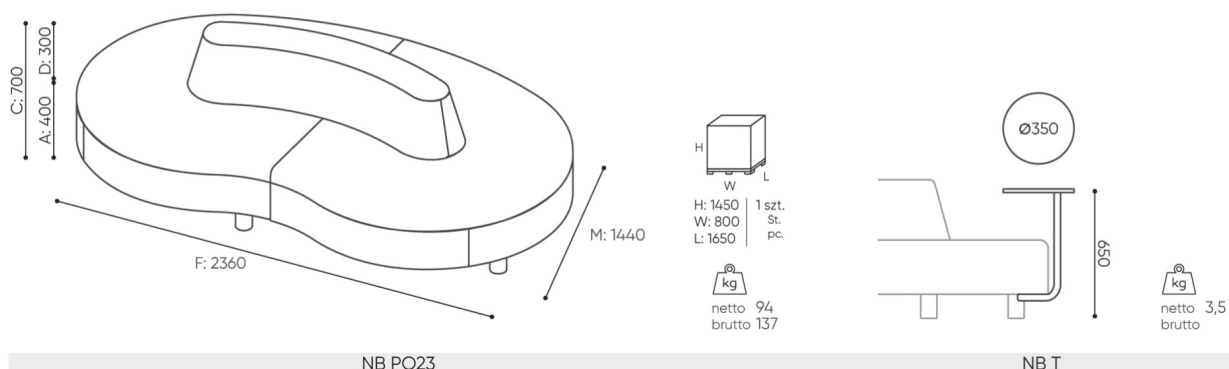
Upholstery

Version with backrest can be made in 2 colors within the same upholstery (1 color - seat / 2 color - backrest)

○

dimensions

NB PO23



- A seat height: overall dimensions
- B seat height
- C chair height: overall dimensions
- D backrest height
- F chair width: overall dimensions
- G seat width
- H backrest width
- K height from the floor to the armrest
- M chair depth: overall dimensions
- N seat depth / seat length

Dimensions are approximate and may vary depending on the selected product configuration. The requirements of the standard are always met.

materials available for collection

1st price group	Fenno, Keimo
2nd price group	Alpa, Charles, Charles - Studio Design, Cura, Roccia, Valencia
3rd price group	Ally, Ally SD, Alpa-Studio Design, Blazer, Cura SD, Silvertex , Silvertex - Studio Design, Synergy, Synergy - Studio Design, Valencia - Studio Design
4th price group	Heritage, Remix - Studio Design
5th price group	Accessoire, Steelcut Trio 3
Tabletop	Finger joint wood, Laminated tabletop
Wood	Solid oak wood, Solid oak wood - clear varnish matt
Metal	Metal - powder coated

bejot:nubi

