

nubi

NB SC 12 / 18

: product card



Nubi is a timeless, original line of furniture reminiscent of the mid-century style. It is defined by its organic shape and soft form with rounded edges, which lends lightness and elegance to the interior. The collection consists of very comfortable sofas, pouffes and round acoustic walls.

design:
Weronika Politowicz

Product website
[website link](#)



bejot:

collection advantages

complement the collection

The circular acoustic walls are a cohesive complement to the entire collection and blend perfectly with the rounded shapes of the sofas and pouffes. They come in two sizes (1200 and 1600), allowing you to create an unusual composition out of them.

technical data

NB SC 12 / 18

Standard ●
Option ○

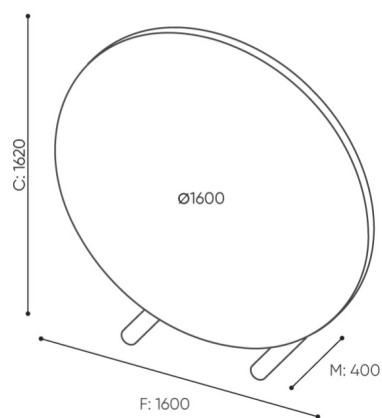
Base

Legs: powder coated ●

Sound absorbing material: non-woven

dimensions

NB SC 12 / 18



NB SC 16

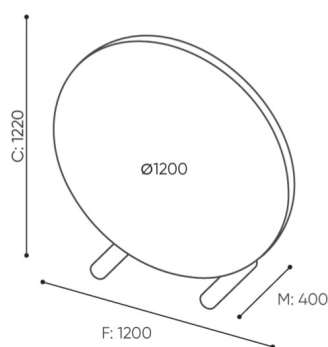


H: 1630
W: 1610
L: 400

1 szt.
St.
pc.



netto 47
brutto 52



NB SC 12



H: 1230
W: 1210
L: 400

1 szt.
St.
pc.



netto 31
brutto 35

- A seat height: overall dimensions
- B seat height
- C chair height: overall dimensions
- D backrest height
- F chair width: overall dimensions
- G seat width
- H backrest width
- K height from the floor to the armrest
- M chair depth: overall dimensions
- N seat depth / seat length

Dimensions are approximate and may vary depending on the selected product configuration. The requirements of the standard are always met.

materials available for collection

1st price group	Fenno
2nd price group	Alpa, Charles, Charles - Studio Design, Cura, Roccia
3rd price group	Ally, Ally SD, Alpa-Studio Design, Blazer, Cura SD, Synergy, Synergy - Studio Design
4th price group	Heritage, Remix - Studio Design
5th price group	Accessoire, Steelcut Trio 3
Wood	Solid oak wood, Solid oak wood - clear varnish matt
Metal	Metal - powder coated

