

mate

MT 230

: product card



The Mate collection includes office armchairs and conference chairs designed to create friendly and ergonomic work spaces. It is all about geometric shapes, high functionality and comfortable seats.

design:
Bejot Development Team

Product website
[website link](#)



bejot:

collection advantages

technical data

MT 230

Standard ●
Option ○

Base

Powder coated (colors according to the Bejot sampler) ●

Armpads

MT 220/ MT 230- Soft, black polyurethane - PU

PUP ●

MT 230 - black polyurethane - PU pipe type

PUT ○

Slides

CODE

Without glides ●

Glides for ceramic floors, concrete and carpets

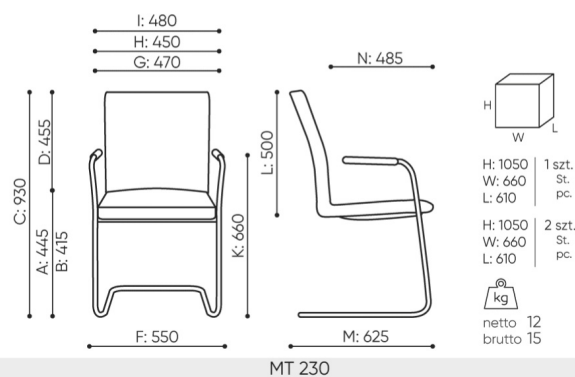
SK ○

Felt glides for wooden floors and floor panels

SF ○

dimensions

MT 230



- A seat height: overall dimensions
- B seat height: measured according to the norm
PN EN 1335 - 1
- C chair height
- D backrest height
- E headrest height
- F dimensional width chair / base
- G seat width
- H backrest width
- I width between armrests
- K height from the floor to the armrest
- L backrest length
- M dimensional chair depth
- N seat depth / seat length

Dimensions are approximate and may vary depending on the selected product configuration. The requirements of the standard are always met.

materials available for collection

1st price group	Bond, Fenno, Keimo, Sawana
2nd price group	Alpa, Charles, Charles - Studio Design, Cura, Era - Studio Design, Pastel, Roccia, Valencia
3rd price group	Ally, Ally SD, Alpa-Studio Design, Blazer, Cura SD, Easy SD, Oceanic, Silvertex , Silvertex - Studio Design, Synergy, Synergy - Studio Design, Valencia - Studio Design
4th price group	Heritage, Oceanic-Studio Design, Remix - Studio Design
5th price group	Accessoire, Steelcut Trio 3
Leather	Leather
Metal	Metal - powder coated

