

lumi

LM 271 P

: product card



The Lumi chair stands out with its minimalist design that perfectly fits into interior design trends. Its slim silhouette and perfectly contoured backrest ensure not only an elegant look but also high user comfort.

design:
Włodzimierz Orsztynowicz

Product website
[website link](#)



bejot:

collection advantages

style and comfort

The Lumi chairs are distinguished by their minimalist design, which fits in perfectly with the interior design trends. The slim silhouette and soft seat ensure not only an elegant appearance, but also a high level of comfort.

two backrest heights

Available in two backrest heights, the Lumi conference chairs are ideal for both meeting rooms and relaxation areas.

wide range of designs

Lumi offers a wide range of bases and up to three types of distinctive seats. Choose from classic designs on metal legs, but also swivel, castor or wooden ones.

technical data

LM 271 P

Standard ●
Option ○

Base

Powder painted rod base (colors according to the Bejot sampler book)	●
Chrome rod base	○

Armpads

CODE

Soft, black polyurethane - PU	PU	●
Wooden - varnished according to Bejot's pattern book		○

Slides

Glides for ceramic floors, concrete and carpets	PK	●
Felt glides for wooden floors and floor panels	PF	○

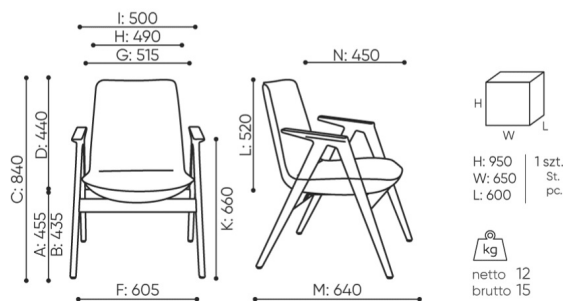
Stitches

CODE

Stitches in the colour of upholstery.		●
White, grey, orange, red, green or black stitches for leather-upholstered armchairs or for keimo, valencia, silvertex collection upholstery.		○

dimensions

LM 271 P



LM W 721 P

- A seat height: overall dimensions
- B seat height: measured according to the norm
PN EN 1335 - 1
- C chair height
- D backrest height
- E headrest height
- F dimensional width chair / base
- G seat width
- H backrest width
- I width between armrests
- K height from the floor to the armrest
- L backrest length
- M dimensional chair depth
- N seat depth / seat length

Dimensions are approximate and may vary depending on the selected product configuration. The requirements of the standard are always met.

materials available for collection

1st price group	Bond, Fenno, Keimo, Sawana
2nd price group	Alaska, Alpa, Charles, Charles - Studio Design, Cura, Era - Studio Design, Pastel, Roccia, Valencia
3rd price group	Ally, Ally SD, Alpa-Studio Design, Blazer, Cura SD, Cyber SD, Easy SD, Oceanic, Silvertex , Silvertex - Studio Design, Synergy, Synergy - Studio Design, Valencia - Studio Design
4th price group	Heritage, Oceanic-Studio Design, Remix - Studio Design
5th price group	Accessoire*, Steelcut Trio 3
Leather	Leather
Wood	Solid oak wood
Metal	Metal - powder coated, Metal ALU/chrom

bejot:lumi

