

lift

LF 10RE

: product card



A chair designed in line with the sit & stand philosophy. Together with the height-adjustable desk, it creates new standards for movement and flexibility in everyday office life.

design:
Bejot Development Team

Product website
[website link](#)



bejot:

collection advantages

Sit & stand

The chair designed in conformity with the sit & stand philosophy, creates the new standards in terms of movement and flexibility in everyday office life. It will enable you to change a position from sitting to standing, whenever you need it.

Maximum comfort

A seat made of the foam with two different densities provides better seating comfort. The resulting convexity in the front part prevents slipping off the seat in the working position.

technical data

LF 10RE

Standard ●
Option ○

Mechanism

Rotatable, with height adjustment A ●

Gaslift

Shock absorber - for seats for tables with a max height of 1100 mm (adjustment range of 200 mm) PG380 ●

Shock absorber - for seats for tables with a max height of 900 mm (adjustment range of 200 mm) PG300 ○

Base

Plastic 5-star base (nylon) Ø700 + standard black ring (RB) 17 ●

Polished aluminium 5-star base (chrome effect) Ø690 22 ○

Powder coated aluminium 5-star base (colors according to Bejot sampler book) Ø 690 23 ○

Powder coated aluminium 5-star base (colors according to Bejot sampler book) Ø 700 SB 33 ○

Armrests

Without arms ●

Armrests adjustable up and down (range: 80 mm) with a soft cover plus:

const. nylon black/thermo polyurethane armpad (TPU) fully recycling P48B ○

const. polished aluminium (chrome effect)/thermo polyurethane armpad (TPU) fully recycling P48C ○

Seat and backrest connector

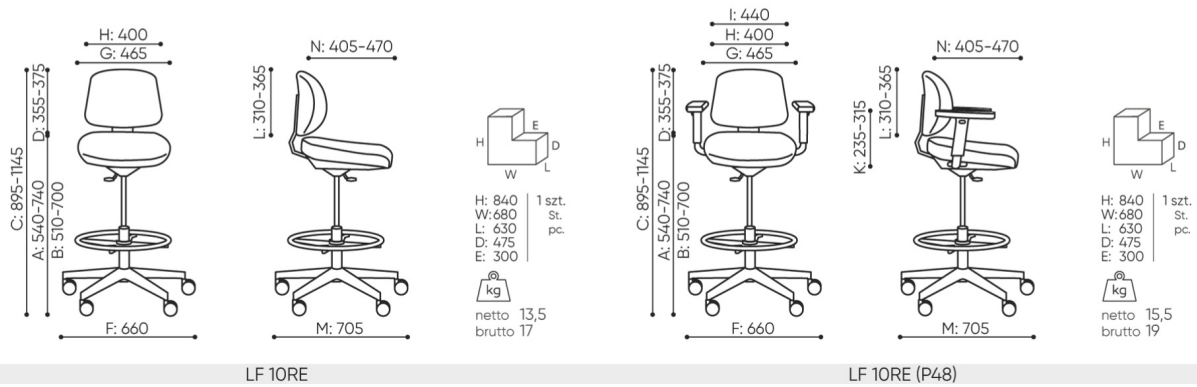
Fixed connection of the seat with the backrest (no height adjustment of the backrest) ●

Castors

Universal castors on any surface Ø 50 function SIT & BREAK (lock while sitting) DRGDB ●

dimensions

LF 10RE



A wysokość siedziska: wymiar gabarytowy
B wysokość siedziska: pomiar zgodny z norma PN EN 1335-1
C regulacja wysokości fotela

A wysokość siedziska: wymiar gabarytowy
B wysokość siedziska: pomiar zgodny z norma PN EN 1335-1
C regulacja wysokości fotela
D regulacja wysokości oparcia
E regulacja wysokości zagłówka
F szerokość gabarytowa fotela/ krzyżaka
G szerokość siedziska
H szerokość oparcia
I szerokość między podłokietnikami
K regulacja wysokości podłokietników
L długość oparcia
M głębokość gabarytowa fotela
N regulacja głębokości siedziska / długość siedziska

Wymiary i wagi mają charakter orientacyjny i mogą się różnić o 5%. Dane podane są do podstawowych konfiguracji produktów. Zawsze spełnione są wymogi normy.

materials available for collection

1st price group	Bond, Fenno, Keimo, Sawana
2nd price group	Alaska, Alpa, Charles, Charles - Studio Design, Cura, Era - Studio Design, Pastel, Roccia
3rd price group	Ally, Ally SD, Alpa-Studio Design, Blazer, Cura SD, Easy SD, Oceanic, Rhythm, Silvertex , Silvertex - Studio Design, Synergy, Synergy - Studio Design
4th price group	Heritage, Oceanic-Studio Design, Remix - Studio Design
5th price group	Accessoire*, Steelcut Trio 3
Leather	Leather
Metal	Metal - powder coated, Metal ALU/chrom

bejot:lift



