

# lift

LF 10R

: product card



A chair designed in line with the sit & stand philosophy. Together with the height-adjustable desk, it creates new standards for movement and flexibility in everyday office life.

**design:**  
**Bejot Development Team**

**Product website**  
[website link](#)



# bejot:

# collection advantages

## Sit & stand

The chair designed in conformity with the sit & stand philosophy, creates the new standards in terms of movement and flexibility in everyday office life. It will enable you to change a position from sitting to standing, whenever you need it.

## Maximum comfort

A seat made of the foam with two different densities provides better seating comfort. The resulting convexity in the front part prevents slipping off the seat in the working position.

## technical data

LF 10R

Standard ●  
Option ○

### Mechanism

Synchro mechanism with the backrest fixed in 4 positions (range of the adjustable recline angle: backseat: 22°, seat: 13°)	M	●
--	---	---

### Gaslift

Shock absorber - for seats for tables with a max height of 1100 mm (adjustment range of 200 mm)	PG380	●
Shock absorber - for seats for tables with a max height of 900 mm (adjustment range of 200 mm)	PG300	○

### Base

Plastic 5-star base (nylon) Ø700 + standard black ring (RB)	17	●
Polished aluminium 5-star base (chrome effect) Ø690	22	○
Powder coated aluminium 5-star base (colors according to Bejot sampler book) Ø 690	23	○
Powder coated aluminium 5-star base (colors according to Bejot sampler book) Ø 700 SB	33	○

### Armrests

Without arms		●
Armrests adjustable up and down (range: 80 mm) with a soft cover plus:		
const. nylon black/thermo polyurethane armpad (TPU) fully recycling	P48B	○
const. polished aluminium (chrome effect)/thermo polyurethane armpad (TPU) fully recycling	P48C	○

### Seat and backrest connector

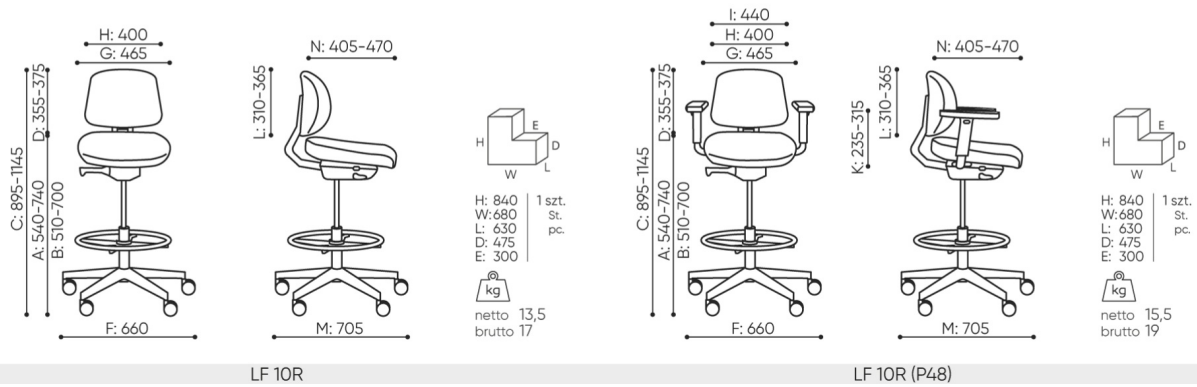
Connector that allows you to adjust the height of the backrest (range 70mm)		●
---	--	---

### Castors

Universal castors on any surface Ø 50 function SIT & BREAK (lock while sitting)	DRGDB	●
---	-------	---

# dimensions

## LF 10R



A wysokość siedziska: wymiar gabarytowy  
 B wysokość siedziska: pomiar zgodny z norma PN EN 1335-1  
 C regulacja wysokości fotela

A wysokość siedziska: wymiar gabarytowy  
 B wysokość siedziska: pomiar zgodny z norma PN EN 1335-1  
 C regulacja wysokości fotela  
 D regulacja wysokości oparcia  
 E regulacja wysokości zagłówka  
 F szerokość gabarytowa fotela/ krzyżaka  
 G szerokość siedziska  
 H szerokość oparcia  
 I szerokość między podłokietnikami  
 K regulacja wysokości podłokietników  
 L długość oparcia  
 M głębokość gabarytowa fotela  
 N regulacja głębokości siedziska / długość siedziska

Wymiary i wagi mają charakter orientacyjny i mogą się różnić o 5%. Dane podane są do podstawowych konfiguracji produktów. Zawsze spełnione są wymogi normy.

## materials available for collection

1st price group	Bond, Fenno, Keimo, Sawana
2nd price group	Alaska, Alpa, Charles, Charles - Studio Design, Cura, Era - Studio Design, Pastel, Roccia
3rd price group	Ally, Ally SD, Alpa-Studio Design, Blazer, Cura SD, Easy SD, Oceanic, Rhythm, Silvertex , Silvertex - Studio Design, Synergy, Synergy - Studio Design
4th price group	Heritage, Oceanic-Studio Design, Remix - Studio Design
5th price group	Accessoire*, Steelcut Trio 3
Leather	Leather
Metal	Metal - powder coated, Metal ALU/chrom

bejot:lift



