

kyos

KY 261 M

: product card



The simple and ergonomic form, emphasised by the transparent backrest, allows Kyos to harmonise perfectly with the interiors of offices, conference rooms, libraries and public spaces.

design:
Scagnellato & Ferrarese

Product website
[website link](#)



bejot:

collection advantages

Simple form, great possibilities

A simple and ergonomic form and an interesting design of the openwork backrest will add lightness to any interior.

First and foremost, functionality

A possibility of assembling a desktop, combining in rows, stacking the chairs and transporting them on a truck, are features that ensure an outstanding functionality. Thanks to this, the Kyos is perfect both in the modern conference and training rooms, and the small offices and reception desks.

technical data

KY 261 M

Standard ●
Option ○

Base	CODE	
Powder painted (colors according to Bejot pattern book)		●
Chromed (only chairs, an option not available to a trolley KY TR)		○

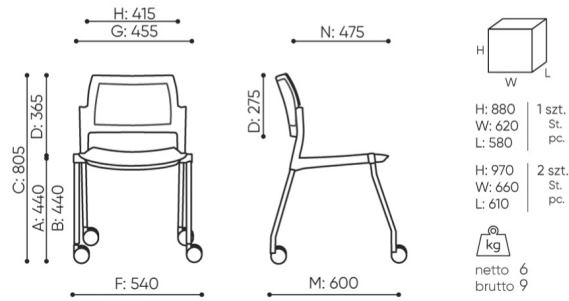
Backrest	CODE	
Black mesh CLASSIC	M08	●
Light grey mesh CLASSIC	M09	○
Mesh Serge Ferrari (polyester composite / PVC) BLACK	M5005	○
Mesh Serge Ferrari (polyester composite / PVC) LIGHT GREY	M5003	○
Mesh Serge Ferrari (polyester composite / PVC) DARK GREY	M5004	○
Mesh Serge Ferrari (polyester composite / PVC) WHITE	M5001	○

Castors	CODE	
Grey universal castors	RT 07 G	●
Black universal castors	RT 07 N	○

Description	
Whole plastic	1N
Seat: upholstered / backrest: plastic	2N
Upholstered seat and backrest	3N
Seat: plastic / backrest: black or grey base + mesh	1M
Seat: upholstered / backrest: black or grey base + mesh	2M

dimensions

KY 261 M



KY 261 1M

- A seat height: overall dimensions
- B seat height: measured according to the norm
PN EN 1335 - 1
- C chair height
- D backrest height
- E headrest height
- F dimensional width chair / base
- G seat width
- H backrest width
- I width between armrests
- K height from the floor to the armrest
- L backrest length
- M dimensional chair depth
- N seat depth / seat length

Dimensions are approximate and may vary depending on the selected product configuration. The requirements of the standard are always met.

materials available for collection

1st price group	Bond, Fenno, Keimo, Sawana
2nd price group	Alpa, Charles, Charles - Studio Design, Cura, Era - Studio Design, Pastel, Roccia, Valencia
3rd price group	Ally, Ally SD, Alpa-Studio Design, Blazer, Cura SD, Easy SD, Oceanic, Rhythm, Silververtex , Silververtex - Studio Design, Synergy, Synergy - Studio Design, Valencia - Studio Design
4th price group	Heritage, Oceanic-Studio Design, Remix - Studio Design
5th price group	Accessoire, Steelcut Trio 3
Leather	Leather
Membrane	Membrane Kyos, Momo, Milla, Mesh sampler for Eleven and Kyos
Plastic	Plastic Kyos
Metal	Metal - powder coated

bejot:kyos

