

kyos

KY 230 M

: product card



The simple and ergonomic form, emphasised by the transparent backrest, allows Kyos to harmonise perfectly with the interiors of offices, conference rooms, libraries and public spaces.

design:
Scagnellato & Ferrarese

Product website
[website link](#)



bejot:

collection advantages

Simple form, great possibilities

A simple and ergonomic form and an interesting design of the openwork backrest will add lightness to any interior.

First and foremost, functionality

A possibility of assembling a desktop, combining in rows, stacking the chairs and transporting them on a truck, are features that ensure an outstanding functionality. Thanks to this, the Kyos is perfect both in the modern conference and training rooms, and the small offices and reception desks.

technical data

KY 230 M

Standard ●
Option ○

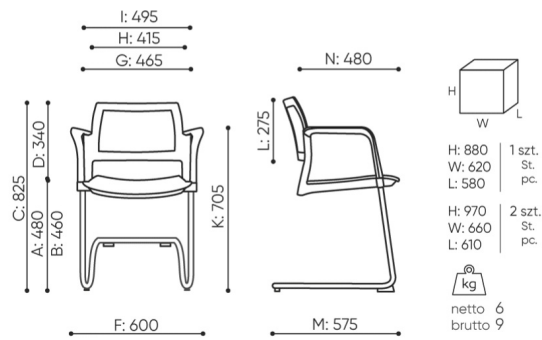
| Base | CODE | |
|---|------|---|
| Powder painted (colors according to Bejot pattern book) | | ● |
| Chromed (only chairs, an option not available to a trolley KY TR) | | ○ |

| Backrest | CODE | |
|---|-------|---|
| Black mesh CLASSIC | M08 | ● |
| Light grey mesh CLASSIC | M09 | ○ |
| Mesh Serge Ferrari (polyester composite / PVC) BLACK | M5005 | ○ |
| Mesh Serge Ferrari (polyester composite / PVC) LIGHT GREY | M5003 | ○ |
| Mesh Serge Ferrari (polyester composite / PVC) DARK GREY | M5004 | ○ |
| Mesh Serge Ferrari (polyester composite / PVC) WHITE | M5001 | ○ |

| Description | |
|---|----|
| Whole plastic | 1N |
| Seat: upholstered / backrest: plastic | 2N |
| Upholstered seat and backrest | 3N |
| Seat: plastic / backrest: black or grey base + mesh | 1M |
| Seat: upholstered / backrest: black or grey base + mesh | 2M |

dimensions

KY 230 M



KY 230 2M

- A seat height: overall dimensions
- B seat height: measured according to the norm
PN EN 1335 - 1
- C chair height
- D backrest height
- E headrest height
- F dimensional width chair / base
- G seat width
- H backrest width
- I width between armrests
- K height from the floor to the armrest
- L backrest length
- M dimensional chair depth
- N seat depth / seat length

Dimensions are approximate and may vary depending on the selected product configuration. The requirements of the standard are always met.

materials available for collection

| | |
|-----------------|---|
| 1st price group | Bond, Fenno, Keimo, Sawana |
| 2nd price group | Alaska, Alpa, Charles, Charles - Studio Design, Cura, Era - Studio Design, Pastel, Roccia, Valencia |
| 3rd price group | Ally, Ally SD, Alpa-Studio Design, Blazer, Cura SD, Cyber SD, Easy SD, Oceanic, Rhythm, Silvertex , Silvertex - Studio Design, Synergy, Synergy - Studio Design, Valencia - Studio Design |
| 4th price group | Heritage, Oceanic-Studio Design, Remix - Studio Design |
| 5th price group | Accessoire*, Steelcut Trio 3 |
| Leather | Leather |
| Membrane | Membrane Kyos, Momo, Milla, Mesh sampler for Eleven and Kyos |
| Plastic | Plastic Kyos |
| Metal | Metal - powder coated |

bejot:kyos

