

be:basic offer

AC 5R be:basic

: product card



Products withdrawn from the offer with extended lead time.
Available only while stock lasts.

design:

Product website
[website link](#)



bejot:

collection advantages

Innovative form

The In Access is a family of the luxury armchairs, distinguished by an innovative form, high quality of the used materials and excellent ergonomic values.

Sophisticated style

The workmanship of the armchair deserves attention – the excellent sewing and selection of the materials and the built-up armrests, which determine its characteristic form. All this makes the In Access a synonym of the sophisticated style, luxury and exclusive simplicity. Show your style with the In Access.

technical data

AC 5R be:basic

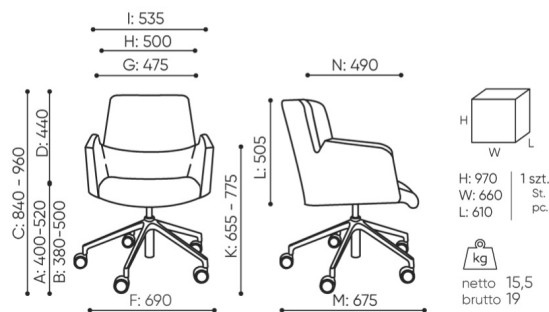
Standard ●
Option ○

| Mechanism | CODE | |
|--|-------|---|
| Rotatable, with height adjustment | A | ● |
| Rotatable mechanism with 3d motion function (forward, backward and sideways) and height adjustment | O5 | ○ |
| Base | CODE | |
| Polished aluminum 5-star base (chrome effect) Ø700+castors DEMA | 36 | ● |
| Powder painted aluminum 5-star base (colors according to Bejot sampler book) Ø700 + castors DEMA | 37 | ○ |
| Castors | CODE | |
| Hard castors for soft floors Ø 65 with auto-brake | DEMA | ● |
| Soft castors for hard floors Ø 65 with auto-brake | DEMAD | ○ |
| Universal castors without brake, color white | RL W5 | ○ |
| Stitches | CODE | |
| Stitches in the colour of upholstery. | | ● |
| White, grey, orange, red, green or black stitches for leather-upholstered armchairs or for keimo, valencia, silvertex collection upholstery. | | ○ |
| Product available while stocks last | | |

bejot:be:basic offer

dimensions

AC 5R be:basic



AC 5R

- A seat height: overall dimensions
- B seat height: measured according to the norm PN EN 1335 - 1
- C chair height adjustment
- D backrest height adjustment
- E headrest height adjustment
- F dimensional width chair / base
- G seat width
- H backrest width
- I width between armrests
- K armrest height adjustment
- L backrest length
- M dimensional chair depth
- N seat depth adjustment / seat length

Dimensions are approximate and may vary depending on the selected product configuration. The requirements of the standard are always met.

materials available for collection

| | |
|-------------------|---|
| 1st price group | Fenno, Keimo, Sawana |
| 2nd price group | Alpa, Charles, Charles - Studio Design, Cura, Pastel, Roccia, Valencia |
| 3rd price group | Ally, Ally SD, Alpa-Studio Design, Blazer, Cura SD, Easy SD, Oceanic, Silvertex , Silvertex - Studio Design, Synergy, Synergy - Studio Design, Valencia - Studio Design |
| 4th price group | Heritage, Oceanic-Studio Design, Remix - Studio Design |
| 5th price group | Accessoire, Steelcut Trio 3 |
| Leather | Leather |
| Metal | Metal - powder coated, Metal ALU/chrom |
| Decorative stitch | Decorative stitch |

bejot:be:basic offer

