

be:basic offer

AC 4R be:basic

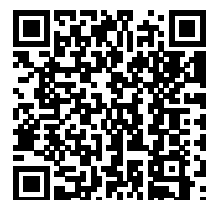
: product card



Products withdrawn from the offer with extended lead time.
Available only while stock lasts.

design:

Product website
[website link](#)



bejot:

collection advantages

Innovative form

The In Access is a family of the luxury armchairs, distinguished by an innovative form, high quality of the used materials and excellent ergonomic values.

Sophisticated style

The workmanship of the armchair deserves attention – the excellent sewing and selection of the materials and the built-up armrests, which determine its characteristic form. All this makes the In Access a synonym of the sophisticated style, luxury and exclusive simplicity. Show your style with the In Access.

technical data

AC 4R be:basic

Standard
Option

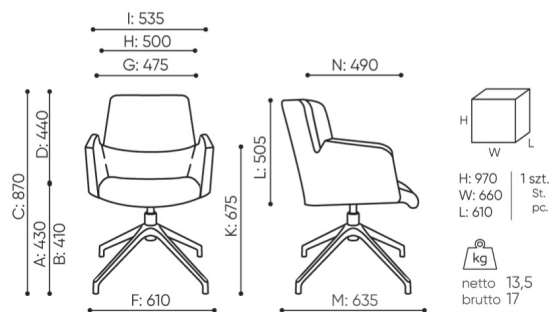
Mechanism	CODE	
Rotatable, with height adjustment	A	<input checked="" type="radio"/>
Rotatable mechanism with 3d motion function (forward, backward and sideways) and height adjustment	O5	<input type="radio"/>
Base	CODE	
Polished aluminum 4-star base (chrome effect) Ø 700 + feet TK	38	<input checked="" type="radio"/>
Powder painted aluminum 4-star base (colors according to Bejot sampler book) Ø700 + feet TK	39	<input type="radio"/>
Feet	CODE	
Feet on ceramic, concrete and carpet floors	TK	<input checked="" type="radio"/>
Felt feet on wooden floors and panels	TF	<input type="radio"/>
Stitches	CODE	
Stitches in the colour of upholstery.		<input checked="" type="radio"/>
White, grey, orange, red, green or black stitches for leather-upholstered armchairs or for keimo, valencia, silvertex collection upholstery.		<input type="radio"/>

Product available while stocks last

bejot:be:basic offer

dimensions

AC 4R be:basic



AC 4R

- A seat height: overall dimensions
- B seat height: measured according to the norm PN EN 1335 - 1
- C chair height adjustment
- D backrest height adjustment
- E headrest height adjustment
- F dimensional width chair / base
- G seat width
- H backrest width
- I width between armrests
- K armrest height adjustment
- L backrest length
- M dimensional chair depth
- N seat depth adjustment / seat length

Dimensions are approximate and may vary depending on the selected product configuration. The requirements of the standard are always met.

materials available for collection

1st price group	Fenno, Keimo, Sawana
2nd price group	Alaska, Alpa, Charles, Charles - Studio Design, Cura, Pastel, Roccia, Valencia
3rd price group	Ally, Ally SD, Alpa-Studio Design, Blazer, Cura SD, Easy SD, Oceanic, Silvertex , Silvertex - Studio Design, Synergy, Synergy - Studio Design, Valencia - Studio Design
4th price group	Heritage, Oceanic-Studio Design, Remix - Studio Design
5th price group	Accessoire*, Steelcut Trio 3
Leather	Leather
Metal	Metal - powder coated, Metal ALU/chrom
Decorative stitch	Decorative stitch

bejot:be:basic offer

