

# be:basic offer

AC 250 be:basic

: product card



Products withdrawn from the offer with extended lead time.  
Available only while stock lasts.

**design:**

**Product website**  
[website link](#)



# bejot:

# collection advantages

## Innovative form

The In Access is a family of the luxury armchairs, distinguished by an innovative form, high quality of the used materials and excellent ergonomic values.

## Sophisticated style

The workmanship of the armchair deserves attention – the excellent sewing and selection of the materials and the built-up armrests, which determine its characteristic form. All this makes the In Access a synonym of the sophisticated style, luxury and exclusive simplicity. Show your style with the In Access.

## technical data

AC 250 be:basic

Standard ●  
Option ○

### Base

---

Powder painted (colors according to Bejot sampler book) ●  
Chrome ○

### Feet

#### CODE

Feet for ceramic floors, concrete and carpets CK ●  
Felt feet for wooden floors and panels CF ○

### Stitches

#### CODE

Stitches in the colour of upholstery. ●  
White, grey, orange, red, green or black stitches for leather-upholstered armchairs or for keimo, valencia, silvertex collection upholstery. ○

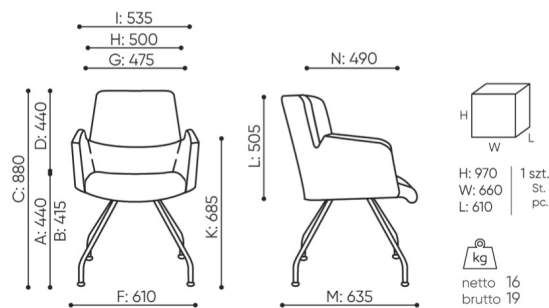
**Product available while stocks last**

---

bejot:be:basic offer

# dimensions

## AC 250 be:basic



AC 250

- A seat height: overall dimensions
- B seat height: measured according to the norm  
PN EN 1335 - 1
- C chair height adjustment
- D backrest height adjustment
- E headrest height adjustment
- F dimensional width chair / base
- G seat width
- H backrest width
- I width between armrests
- K armrest height adjustment
- L backrest length
- M dimensional chair depth
- N seat depth adjustment / seat length

Dimensions are approximate and may vary depending on the selected product configuration. The requirements of the standard are always met.

## materials available for collection

1st price group	Fenno, Keimo, Sawana
2nd price group	Alpa, Charles, Charles - Studio Design, Cura, Pastel, Roccia, Valencia
3rd price group	Ally, Ally SD, Alpa-Studio Design, Blazer, Cura SD, Easy SD, Oceanic, Silvertex , Silvertex - Studio Design, Synergy, Synergy - Studio Design, Valencia - Studio Design
4th price group	Heritage, Oceanic-Studio Design, Remix - Studio Design
5th price group	Accessoire, Steelcut Trio 3
Leather	Leather
Metal	Metal - powder coated, Metal ALU/chrom
Decorative stitch	Decorative stitch

bejot:be:basic offer

