

be:basic offer

AC 103 be:basic

: product card



Products withdrawn from the offer with extended lead time.
Available only while stock lasts.

design:

Product website
[website link](#)



bejot:

collection advantages

Innovative form

The In Access is a family of the luxury armchairs, distinguished by an innovative form, high quality of the used materials and excellent ergonomic values.

Sophisticated style

The workmanship of the armchair deserves attention – the excellent sewing and selection of the materials and the built-up armrests, which determine its characteristic form. All this makes the In Access a synonym of the sophisticated style, luxury and exclusive simplicity. Show your style with the In Access.

technical data

AC 103 be:basic

Standard ●
Option ○

Mechanism

Synchro and self-weighting the spring force automatically adapts to the weight of the sitting person, range of adjustable recline angle (backrest:20°, seat:6°), along with an adjustable seat depth (range: 60 mm)

SW ●

Additional adjustment

CODE

Adjustable lumbar support depth (range: 15 mm)

BLS ○

Base

CODE

Polished aluminium 5-star base (chrome effect) Ø690

22 ●

Powder coated aluminium 5-star base (colors according to Bejot sampler book) Ø 690

23 ○

Polished aluminium 5-star base (chrome effect) Ø700 SB

32 ○

Powder coated aluminium 5-star base (colors according to Bejot sampler book) Ø 700 SB

33 ○

Polished aluminium 5-star base (chrome effect) Ø 700 SBF Flexi (3D movement)

34 ○

Armrests

Armrests fully upholstered

●

Additional equipment

Hard castors for soft floors Ø 65 with auto-baker

DEMA ●

Soft castors for hard floors Ø 65 with auto-brake

DEMAD ○

Stitches

Stitches in the colour of upholstery

●

White, grey, orange, red, green or black stitches for leather-upholstered armchairs or for keimo, valencia, silvertex collection upholstery.

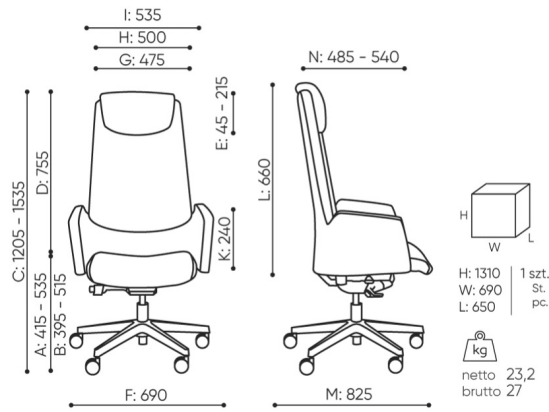
○

Product available while stocks last

bejot:be:basic offer

dimensions

AC 103 be:basic



AC 103

- A seat height: overall dimensions
- B seat height: measured according to the norm PN EN 1335 - 1
- C chair height adjustment
- D backrest height adjustment
- E headrest height adjustment
- F dimensional width chair / base
- G seat width
- H backrest width
- I width between armrests
- K armrest height adjustment
- L backrest length
- M dimensional chair depth
- N seat depth adjustment / seat length

Dimensions are approximate and may vary depending on the selected product configuration. The requirements of the standard are always met.

materials available for collection

1st price group	Fenno, Keimo, Sawana
2nd price group	Alaska, Alpa, Charles, Charles - Studio Design, Cura, Pastel, Roccia, Valencia
3rd price group	Ally, Ally SD, Alpa-Studio Design, Blazer, Cura SD, Easy SD, Oceanic, Silvertex , Silvertex - Studio Design, Synergy, Synergy - Studio Design, Valencia - Studio Design
4th price group	Heritage, Oceanic-Studio Design, Remix - Studio Design
5th price group	Accessoire*, Steelcut Trio 3
Leather	Leather
Metal	Metal - powder coated, Metal ALU/chrom
Decorative stitch	Decorative stitch

bejot:be:basic offer



