

hens

HS 230 H

: product card



The hens collection is characterised by Scandinavian design and functionality. It adheres to the principles of simplicity, usability and naturalness. The strong steel frame gives the chairs a loft character. Their raw form is balanced by the natural oak veneer and soft upholstery.

design:
Henrik Schultz

Product website
[website link](#)



bejot:

collection advantages

scandinavian design and functionality

The collection is a contemporary interpretation of the classic school chair. Designed with inspiration from Scandinavian design, it meets the objectives of simplicity, functionality and naturalness.

easy stacking

The chairs are perfectly stackable, and some models can be joined together with a dedicated rail. This makes them suitable for virtually anywhere – from offices to schools and public spaces.

practical armrests

The round cover (PUT) on the armrests is not only an aesthetic finish but also a functional solution that allows for the safe suspension of chairs on the table top. This facilitates keeping floors clean in conference rooms, canteens, and other spaces.

technical data

HS 230 H

Standard ●
Option ○

Base

| | |
|---|---|
| Powder painted (colors according to the Bejot pattern book) | ● |
| Chrome | ○ |

Colours for the 1N/2N version

| | | |
|--|-------|---|
| Natural oak veneer - clear varnish matt | ONB | ● |
| Natural oak veneer - black matt varnish (RAL 9005M) | O9005 | ○ |
| Natural oak veneer - gray matt varnish (RAL 7045M) | O7045 | ○ |
| Natural oak veneer - maroon matt varnish (RAL 3005M) | O3005 | ○ |
| Natural oak veneer - green matt varnish (RAL 6005M) | O6005 | ○ |
| Natural oak veneer - blue matt varnish (RAL 5007M) | O5007 | ○ |

Armpads

| | | |
|-----------------------------------|-----|---|
| Black polyurethane - PU type tube | PUT | ● |
| Soft, black polyurethane - PU | PU | ○ |

Additional equipment

| | | |
|---|----|---|
| Black masking panel that protects the chairs from scratches during stacking | CP | ● |
|---|----|---|

Glides

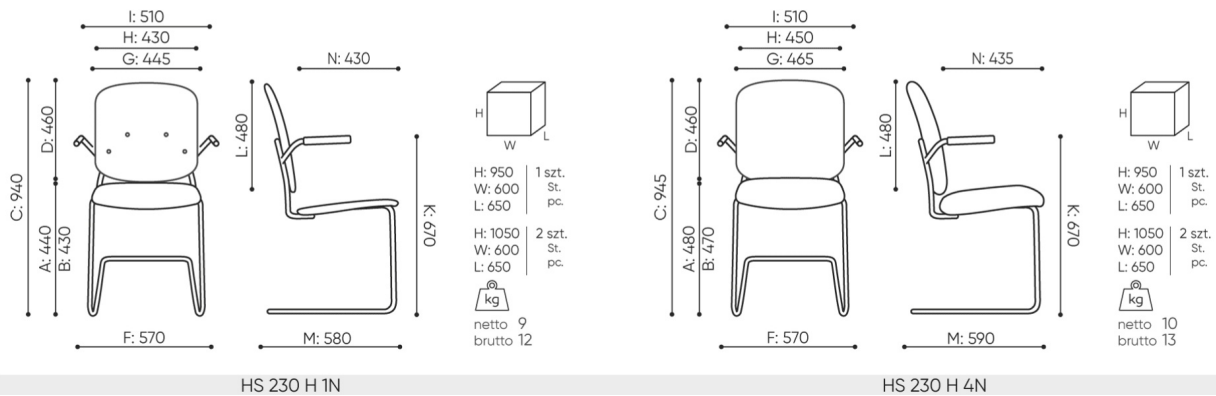
| | | |
|---|----|---|
| Glides for ceramic floors, concrete and carpets | SK | ● |
| Felt glides for wooden floors and floor panels | SF | ○ |

Description

| Description | Code |
|---|------|
| Seat and backrest, natural oak veneer | 1N |
| Upholstered seat / backrest, natural oak veneer | 2N |

dimensions

HS 230 H



- A seat height: overall dimensions
- B seat height: measured according to the norm
PN EN 1335 - 1
- C chair height
- D backrest height
- E headrest height
- F dimensional width chair / base
- G seat width
- H backrest width
- I width between armrests
- K height from the floor to the armrest
- L backrest length
- M dimensional chair depth
- N seat depth / seat length

Dimensions are approximate and may vary depending on the selected product configuration. The requirements of the standard are always met.

materials available for collection

| | |
|--------------------|---|
| 1st price group | Bond, Fenno, Keimo, Sawana |
| 2nd price group | Alaska, Alpa, Charles, Charles - Studio Design, Cura, Era - Studio Design, Pastel, Roccia |
| 3rd price group | Ally, Ally SD, Alpa-Studio Design, Blazer, Cura SD, Cyber SD, Easy SD, Oceanic, Rhythm, Silvertex , Silvertex - Studio Design, Synergy, Synergy - Studio Design |
| 4th price group | Heritage, Oceanic-Studio Design, Remix - Studio Design |
| 5th price group | Accessoire*, Steelcut Trio 3 |
| Leather | Leather |
| Natural oak veneer | Natural oak veneer |
| Metal | Metal - powder coated |

bejot:hens

